

# GD10L OPEN PATH IR GAS DETECTOR

## Operating Manual

850-813353R04





Table of contents:

<b>1</b>	<b>PRODUCT DESCRIPTION .....</b>	<b>5</b>
1.1	Introduction .....	5
1.2	General description.....	5
1.3	Areas of application.....	6
1.4	Principle of measurement .....	6
<b>2</b>	<b>INSTALLATION .....</b>	<b>9</b>
2.1	Positioning of open-path detectors .....	9
2.2	Mounting of the detector and reflector .....	9
2.3	Electrical connections.....	12
<b>3</b>	<b>COMMISSIONING .....</b>	<b>13</b>
3.1	Preparation.....	13
3.2	Coarse alignment using the adjustment sight .....	13
3.2.1	Procedure .....	14
3.3	Fine-tuning and zero adjustment using the hand terminal.....	15
3.3.1	Procedure .....	15
3.3	Function test.....	18
<b>4</b>	<b>MAINTENANCE.....</b>	<b>19</b>
4.1	Regular maintenance.....	19
4.2	Troubleshooting .....	19
<b>5</b>	<b>TERMINAL .....</b>	<b>20</b>
5.1	Introduction .....	20
5.2	Description of terminal .....	20
5.3	Start-up.....	21
5.4	Functions .....	22

5.4.1	Installation of detector .....	22
5.4.2	Display gas value .....	22
5.4.3	Fault messages .....	23
<b>6</b>	<b>TECHNICAL DATA .....</b>	<b>24</b>
6.1	Detector .....	24
6.2	Adjustable bracket for detector .....	25
6.3	Reflector 20x20 cm .....	25
6.4	Reflector 30x30 cm .....	25
6.5	Technical data, accessories .....	26
6.5.1	Gas filter .....	26
6.5.2	Adjusting sight .....	26
6.5.3	Hand terminal .....	26
6.6	Approvals .....	27
6.7	Certificates .....	27
<b>7</b>	<b>ORDERING INFORMATION .....</b>	<b>29</b>

# **1 PRODUCT DESCRIPTION**

## **1.1 Introduction**

The GD10L is an open path gas detector consisting of a combined transmitter/receiver unit and a separate reflector.

The GD10L is based on the highly acclaimed GD100 and GD10P point detectors. Over the past 15 years, the GD100 and GD10P have proven themselves to be the most reliable point detectors on the market. Like Simtronics range of point detectors, the GD10L has the advantage of using a solid-state, silicon-based IR source that requires no recalibration or replacement during its service life. The IR sources have an expected service life of more than 60 years, which keeps maintenance costs to a minimum. The IR sources are resistant to vibration and shock. And, unlike most detectors in use today, the GD10L will not cause any false gas alarms.

## **1.2 General description**

The GD10L fully implements the dual wavelength, dual optical path measuring concept. Radiation from the two silicon-based IR sources, which is chopped with a frequency of more than 50 Hz, passes through two narrowband optical filters. One wavelength is adapted to the gas to be detected while the other wavelength is chosen outside the absorption spectrum of the gas

The GD10L uses two IR detectors. Each detector receives radiation signals from both IR sources. Integrated in one unit, the transmitter and receiver are synchronized by the same microprocessor, which means that the synchronous operation of the unit can not be disturbed by IR beam interference.

The GD10L continuously monitors the measuring path and the optical and electronic functions. The detector will always show correct gas concentration as long as there are no error messages.

The detector and reflector optics are heated to keep the optical surfaces free from dew, snow and ice. The heating element in the reflector is self-adjusting. Both the detector and reflector have solid weather protectors.

The GD10L can easily be installed by one person as only one unit requires accurate alignment. The detector and reflector brackets have been designed to resist vibration and shock. The reflector should be mounted perpendicular to the measuring path direction. Choice of reflector size is dependent on the length of the measuring path.

Maintenance will normally consist in cleaning the detector and reflector optics. The detector gives an error message if cleaning is required.

### **1.3 Areas of application**

Area monitoring of:

- Oil and gas installations onshore and offshore
- Petrochemical plants
- Chemical plants
- Refineries
- Pipelines
- Marine
- Waste disposal plants
- Car parking buildings
- Industry

The GD10L open path detector is normally recommended as a supplement to the GD10P point detector, or to be used in applications where point gas detectors are unsuitable.

### **1.4 Principle of measurement**

The GD10L uses two optical measuring paths, one external path which measures gas concentration and one internal path which monitors the optical and electronic components. By employing this concept, each detector measures both wavelengths. This concept prevents any possible drift caused by alterations in the IR sources, detectors and electronics from provoking false gas alarms.

The transmitter and receiver are integrated in one unit with direct synchronisation between transmitter and receiver functions so that false gas alarms caused by synchronisation errors are avoided. This measurement concept in combination with Simtronics's unique IR sources result in a stable and reliable detector without false gas alarms or suppression of real gas alarms. Through Simtronics's point detectors, this concept has shown a far better stability and reliability than any other detector concept on the market.

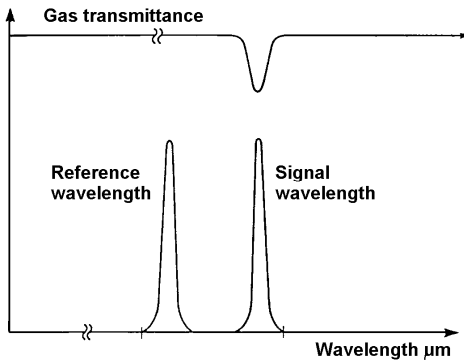


Figure 1-1 Transmission as a function of wavelength

One wavelength, the measuring wavelength, is chosen where the actual gas has a specific absorption line. The other wavelength, the compensation wavelength, is chosen where the gas has no absorption lines and where other gases and atmospheric conditions have no impact on the gas measurement. By comparing the amplitude of both wavelengths, before and after the IR beam has passed through the measuring path, the gas concentration is determined. Since both wavelengths are monitored by both IR detector elements, alterations in optical or electronic components are unable to cause erroneous measurements.

*Sequence diagram*

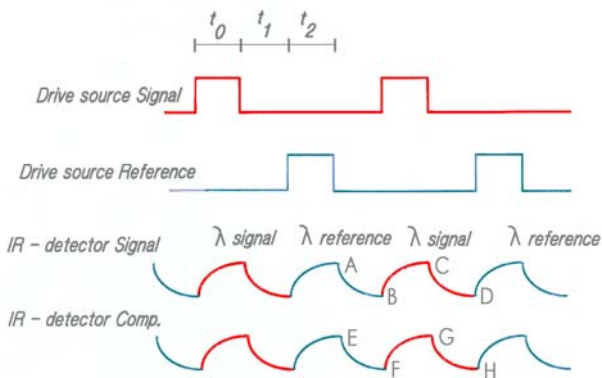


Figure 1-2 Sequence diagram, synchronism

There is no risk of unreliable measurements caused by synchronisation errors in the receiver unit since both the pulsing of the IR source and the timing of the

IR detectors are directly controlled by the same microprocessor.

As in the point detector GD10P, the IR sources are silicon-based components with an expected service life of more than 60 years. They will not be impaired or damaged by mechanical shock or vibration.

The measuring concept has been used with great success in all types of operating conditions for more than 15 years in the point detectors GD100 and GD10P.

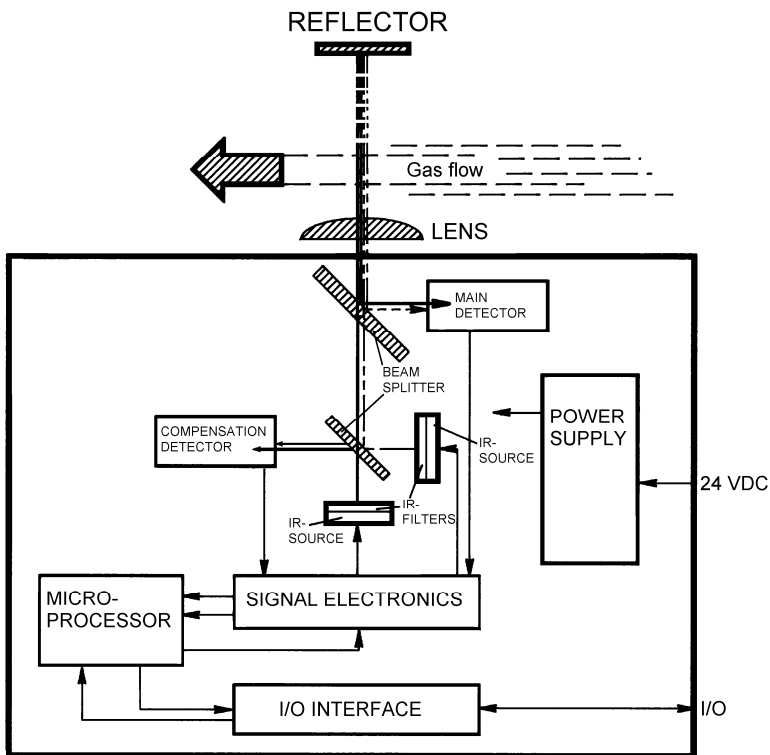


Figure 1-3 Measuring concept, block diagram



## 2 INSTALLATION

### 2.1 Positioning of open-path detectors

The gas concentration of a gas cloud is reduced very rapidly as the distance from the source of the leak increases. The detector should therefore be placed as close as possible to potential leakage sources. Normally occurring wind directions must be taken into account when positioning the detector.

The detector should be placed between potential leakage sources and potential ignition sources.

In closed-in or protected areas the positioning of a detector should be determined by whether the gas is heavier or lighter than air.

### 2.2 Mounting of the detector and reflector

The reflector bracket (ref. fig. 2-1) is to be fitted perpendicular to the measuring path, within  $\pm 5$  degrees. Both tilt and pan orientation of the panel should be within  $\pm 5$  degrees.

Because of their long and open measuring path, open-path detectors have relatively unprotected optics which are much more exposed to external interference than point detectors. To achieve maximum operating time, the local environment and the stability of the structure to which they are attached must be taken into consideration.

The following points should be taken into account when positioning open-path detectors:

A) The measuring path should be horizontal. This reduces interference from rain, snow and sunlight. The detector should be attached to a mechanically stable structure to keep the device stable when subjected to the prevailing weather conditions and other mechanical loads such as, for example:

B) Thermal movement due to the effects of the sun and temperature changes the effects of strong wind vibration from equipment such as pumps, turbines and cranes, high-pressure flushing of the detector etc.

C) The detector can be brought out of alignment by being knocked or as a result of some other mechanical effects, particularly if the detector is located in high-traffic areas.

UNDER THE ABOVE CONDITIONS, THE FOLLOWING REMEDIAL ACTIONS ARE RECOMMENDED:

- The reflector should be attached to the structure which has the heaviest exposure to mechanical interference.
- Use the large reflector (30x30)
- Do not use long measuring paths.
- The detector should be positioned in such a way that the measuring path does not cross the high-traffic areas and movable machinery cannot block the measuring path. Other factors to be taken into account could be temporary scaffolding, large vehicles etc.
- The detector should be positioned in such a way that exhaust or steam discharges do not directly hit the optics.
- In places where there can be thick fog or heavy snowdrifts the measuring path should be made as short as possible.

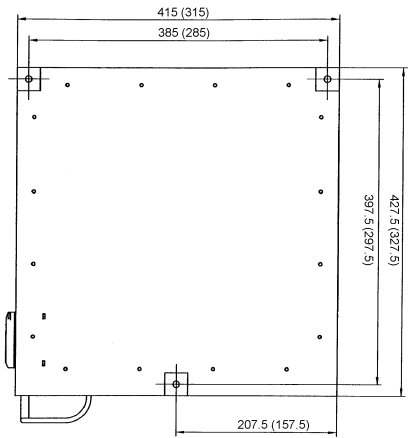
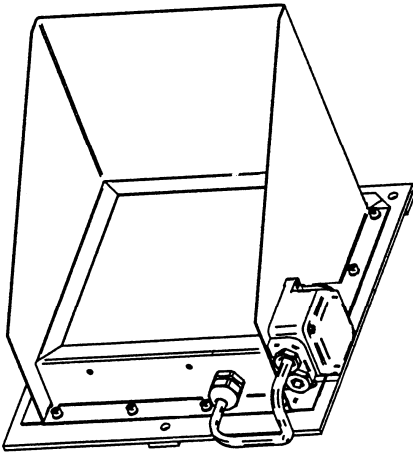
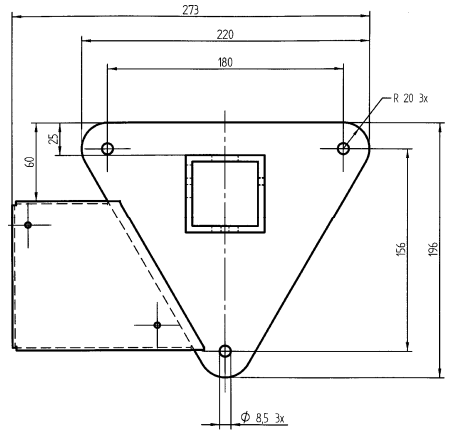
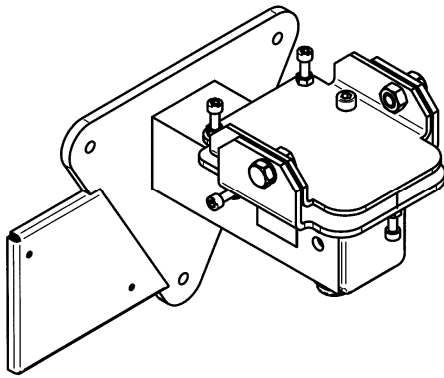
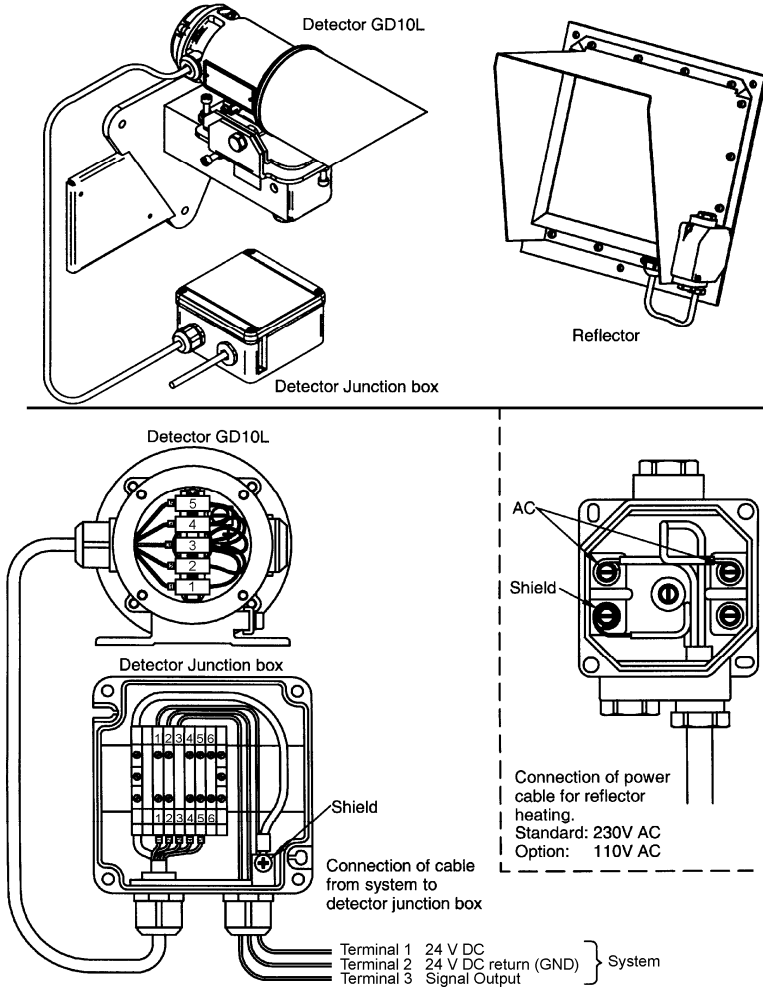


Figure 2-1 Brackets with dimensions of mounting holes (dimension of 20x20 bracket in parenthesis)

### 2.3 Electrical connections



Detector, termination dep.	Junction box	System
1 +24 V	1 +24 V	+24 V
2 24 V return	2 24 V return	24 V return
3 4-20 mA output	3 4-20 mA output	4-20 mA input
4 +RS 485	4 +RS485	Not used
5 -RS 485	5 -RS 485	Not used
	6 Not used	Not used
- Shield	0 Shield	Shield

Electrical connections for reflector junction box:

Junction box
1 220/110 V AC
2 220/110 V AC
3 Shield
4 Not used

Figure 2-2 Electrical connections

### 3 COMMISSIONING

#### 3.1 Preparation

Check that the reflector is mounted perpendicular to the measuring path direction, within  $\pm 5$  degrees. Both tilt and pan orientation of the panel must be within  $\pm 5$  degrees. Commissioning should be carried out in clear weather in order to be able to calculate the transmission of the measuring path correctly, and to achieve the best possible accuracy of the zero-point calculation. Check that there is a free line of sight between the detector and the reflector. Check that optical surfaces on the detector and reflector are clean and dry. Check that there are no HC gases present during commissioning. Carry out rough setting using the adjusting sight.

#### 3.2 Coarse alignment using the adjustment sight

Fit the adjusting sight to the detector's weather protector using the rubber belt provided.



*Figure 3-1 Adjusting sight*

For simplest adjustment it is advantageous for the sight to be placed right on top of the weather protector, or in the middle of the side of the detector. The sight is used in the same way as pistol sights. There should be a distance of about 50 cm between the eye and the sight. Correct alignment of the sensor is obtained when both alignment rings and the centre of the reflector panel are aligned.

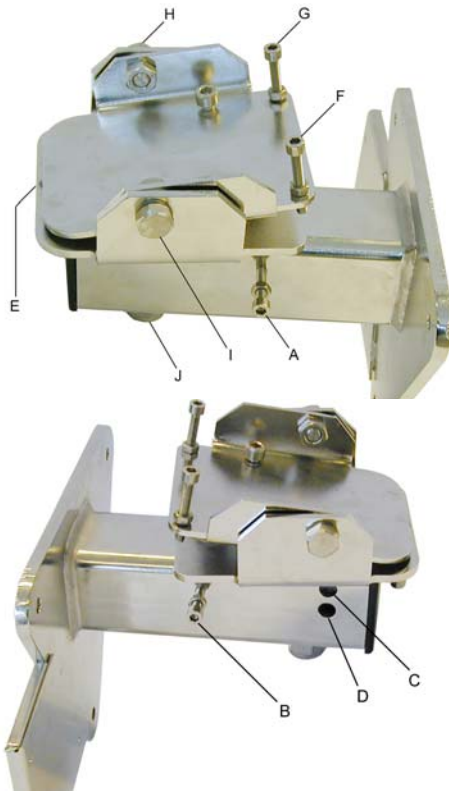


Figure 3-2 Adjustable holder for detector

### 3.2.1 Procedure

*Note:*

*Screws H, I and J must not be moved. They are factory adjusted.*

Set adjusting screw A in the centre of the adjusting range and check that locking screw B is not restricting the adjusting range.

Check that locking screws C and D have been loosened so that the detector can be moved freely in the horizontal plane.

Align the detector in the horizontal plane.

Adjust the detector in the vertical plane using adjusting screw E. Check that locking screws F and G are not restricting movement.

Tighten locking screws C and D with a torque of about 5 Nm.

Re-adjust the detector using adjusting screws A and E so that the reflector is in the centre of the line of sight of the adjusting sight.

### 3.3 Fine-tuning and zero adjustment using the hand terminal

The sight can now be removed from the detector.

*Note:  
The detector's measuring path must not be blocked during this part of the procedure.*

#### 3.3.1 Procedure

Connect the hand terminal to the terminal block in the junction box.  
The display will show the following text:

S	I	M	R	A	D		O	P	T	R	O	N	I	C	S				
T	e	r	m	i	n	a	l		f	o	r		G	D	1	0	L		
V	e	r	s		x	x													
M	E	N	U																↵

Press ENTER, ↵, on the terminal.  
The terminal displays the following text:

C	o	m	m	u	n	i	c	a	t	i	o	n		t	e	s	t		
P	l	e	a	s	e		w	a	i	t									
A	d	d	r	e	s	s		n	o		x	x							

When the terminal has identified the detector, the following text is displayed:

																			↑
S	e	n	s	o	r		i	n	s	t	a	l	l	a	t	i	o	n	
																			↓
S	E	L	E	C	T		F	U	N	C	T	I	O	N					↵

Select "Detector installation" by pressing ENTER. If necessary, use the arrow keys to find this function. The following text is displayed:

A	d	j	u	s	t		a	l	i	g	n	m	e	n	t		t	o
m	a	x	.	s	i	g	n	a	l		a	n	d					
g	r	a	p	h		l	e	v	e	l								
L	o	c	k		a	d	j		s	c	r	e	w	s				↵

Press ENTER on the terminal. The following text is displayed:

S	i	g	n	a	l		l	e	v	e	l		x	x				
-	-	-	-	-	-	-	-	-	-	-								
A	L	I	G	N		F	I	N	I	S	H	E	D	?				↵

"Signal level" is a measure of the magnitude of the returned IR signal with coarse resolution.

"- - - - -" is an expanded bar diagram of "Signal level" with high resolution.

Fine-tune the detector by adjusting the screws A and E so that the numerical values of "Signal level" and the bar diagram are as high as possible. Point the detector's IR beam as close as possible to the centre of the reflector. This is done by setting the adjusting screws in the middle of the adjusting interval where the magnitude of "Signal level" is constant.

Tighten locking screw B with a torque of 3 Nm. Tighten the locking nuts for screws A and B while the screws are held in position. Check that the signal level has not changed.

Screw the locking screws F and G in by hand until they abut the baseplate of the holder, check that both screws are resting against the baseplate.

Then tighten the locking nuts for each screw while the screw is held in position. Check that the signal level has not changed. If necessary, re-adjust the detector with adjusting screw E.

Then tighten the locking nut for screw E while the screw is held in position.

Press ENTER on the terminal. The following text is displayed:



P	e	r	f	o	r	m	i	n	g		a	n	a	l	o	g			
s	i	g	n	a	l		c	a	l	i	b	r	a	t	i	o	n		
P	l	e	a	s	e		w	a	i	t									

The detector calculates analog parameters and stores them. When these calculations have been completed (30 – 40 sec.), the following text is displayed:

P	a	t	h		g	a	i	n		x	x	x							
M	e	a	s		g	a	i	n		x	x	x							
C	o	m	p		g	a	i	n		x	x	x							
S	T	A	R	T		Z	E	R	O		C	A	L	I	B	R		↵	

Then press ENTER to start zero adjustment (approx. 3 min. duration) of the detector. While zero adjustment of the detector is in progress, the following text is displayed:

C	a	l	c	u	l	a	t	i	n	g		z	e	r	o				
P	l	e	a	s	e		w	a	i	t									
a	p	p	.	3		m	i	n											
							x	x	x										

where X.XX is a clock that counts minutes and seconds.

After zero calibration is completed, the following text is displayed:

S	e	n	s	o	r		i	n	s	t	a	l	l	a	t	i	o	n	
c	o	m	p	l	e	t	e	d											
D	I	S	P	L	A	Y		G	A	S		V	A	L	U	E		↵	

After zero adjustment is completed, the detector automatically goes over to normal gas measuring mode. Press ENTER to see the gas value as well as transmission along the measuring path. The following text is displayed:

P	a	t	h	t	r	a	n	s	m	.	X	X	X	%		
G	a	s	v	a	l	u	e				X	X	%	F	S	
M	E	N	U												↵	

Verify successful installation by checking that path transmission is approx. 100 % and that gas value is 0 % FS.

### 3.3 Function test

System and detector function test can be carried out using the Simtronics Gas Test Filter. Proceed as follows:

Hold the Gas Test Filter in the measuring path between the detector and the reflector for a minimum of 10 seconds. Preferably, hold the filter in front of the detector lens so that the plastic aperture covers the whole IR beam diameter. Read gas value at the terminal by choosing Display Gas Value in the menu. Refer to para. 5.4.2.

Verify that reading approximately matches value printed on the rim of the Simtronics Gas Test Filter.

Alternatively, read the gas value on the main control system.

## 4 MAINTENANCE

### 4.1 Regular maintenance

The detector does not have any internal functions that require regular monitoring or maintenance. If there is dirt on the detector lens or reflector window, they can be cleaned with mild soapy water or a mixture of isopropanol and water. Use a soft cloth. Before cleaning, the detector should be disconnected from the alarm system.

### 4.2 Troubleshooting

The detector can give fault messages in the event of weather conditions which to a considerable extent reduce or interfere with the transmission along the detector's measuring path or optics, or when objects block the detector's measuring path.

The detector can also give fault messages if the mounting brackets are not sufficiently stable over time or in the event of mechanical changes which may, for example, be caused by temperature changes or movement in the mounting structure. The above-mentioned conditions should be checked before troubleshooting is commenced.

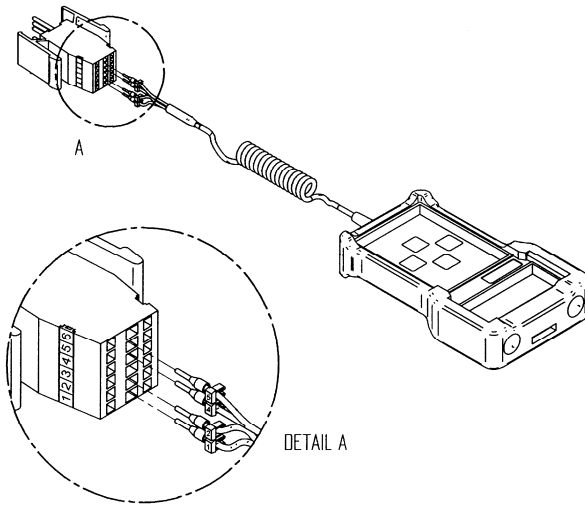
Troubleshooting should always start by inspecting the detector's lens and reflector surface for contamination and defects. The following list may be helpful if problems arise:

Fault message	Problem	Correction
CLEAN OPTICS	Dirt on lens/reflector.	Clean optics. If necessary, re-adjust detector using terminal.
	Detector out of alignment.	Realign detector using terminal.
Blocked optics/detector failure	Dirt on lens/reflector.	Clean optics. If necessary, re-adjust detector using terminal.
	Detector out of alignment.	Straighten detector using terminal.
	Objects that block the measuring path.	Remove objects that block.

As a general rule if problems arise, inspect and clean both detector and reflector optics. If this does not help, realign the detector according to procedure (ref. Chapter 3).

## 5 TERMINAL

### 5.1 Introduction



*Figure 5-1 Connection of hand terminal with cable and plug*

The terminal is used when setting, zero-adjusting and testing the detector. The terminal communicates via a two-way RS 485 communication. The terminal does not have any batteries that need to be changed, and the terminal is powered from the detector when it is connected.

### 5.2 Description of terminal

The terminal has a 4-line, 20-character backlit display, as well as 4 keys for navigating in menus and for operator output. The terminal is connected to the detector via a plug, which fits into the terminal block in the detector's junction box.

UP and DOWN	Scroll through menus
ENTER	Acceptance of a particular function or menu selection
ESCAPE	Discontinuation of menu selection in progress

### 5.3 Start-up

When the voltage is connected, the following start-up display appears:

S	I	M	R	A	D		O	P	T	R	O	N	I	C	S				
T	e	r	m	i	n	a	l		f	o	r		G	D	1	0	L		
V	e	r	s		x	x													
M	E	N	U																↵

The menu is shown when ENTER is pressed.

The UP/DOWN keys are used to navigate in the menu.

Before the menu is displayed, the terminal checks the communication with the detector, with the following text being shown:

C	o	m	m	u	n	i	c	a	t	i	o	n		t	e	s	t		
P	l	e	a	s	e		w	a	i	t									
A	D	D	R	E	S	S		N	O		X	X							↵

If however the terminal is not able to establish communication with the detector, the following text is displayed:

C	o	m	m	u	n	i	c	a	t	i	o	n		f	a	u	l	t	
R	E	S	T	A	R	T													↵

When ENTER is pressed, the terminal makes a new attempt to establish communication with the detector.

The following functions can be selected from the menu list:

- Detector installation
- Display gas value
- Fault messages

## 5.4 Functions

### 5.4.1 Installation of detector

This function is described in chapter 3.3: Fine-tuning and zero adjustment by terminal.

### 5.4.2 Display gas value

This function continuously reads the detector's gas value as well as optical transmission along the measuring path. The following text is displayed:

P	a	t	h	t	r	a	n	s	m	.				X	X	X	%
G	a	s		v	a	l	u	e							X	X	%
M	E	N	U														↵

where "Path transm." is the transmission in % along the detector's measuring path.

"Gas value" is the gas reading as a % of the full scale value.

If the detector is not able to measure gas, the value of "Gas value" is replaced by "-".

The terminal goes back to the menu when ENTER is pressed.



## 6 TECHNICAL DATA

### 6.1 Detector

Detector type	The detector fully implements the measuring concept of double wavelength, double optical path.
IR source	Silicon based. Operating life more than 60 years. Resistant to shock and vibration.
Gases detected	Hydrocarbons
Measuring range	0 - 5 LELm calibrated for methane. Option: other gases
Response time	T50 = 2.5 sec. T90 = 6 sec.
Deviation	±0.2 LELm
Repeatability	±0.1 LELm
Temperature range	-30 to +45 degrees centigrade
Humidity	0-99 % relative humidity, non-condensating
Output signal:	
- standard	4-20 mA source, max. total load imp. = 500 ohm.
- option	4-20 mA sink
Fault messages:	
Clean optics	Output is 1 mA.
Beam block/Detector failure	Output is 0 mA 15 sec. delay on beam block signal
Power supply	24 V nominal, range: 18-32 V
Power consumption	5 W
Material	316, acid-proof stainless steel
Weight	3.5 kg
Explosion proof class.	EEx de IIC T6
Ingress protection	IP 66/67



## 6.2 Adjustable bracket for detector

Material	316, acid-proof stainless steel
Weight	5.5 kg
Dimensions	200 x 220 x 220 mm

## 6.3 Reflector 20x20 cm

Mounting	The reflector is to be mounted perpendicular to the measuring path direction within $\pm 5$ degrees.
Recommended path length	2–20 metres
Power supply	220 V AC (option 110 V AC)
Power consumption	Max. 60 W at power-up/15 W normal operation
Ex classification	Ex e (when using heater cable)
Material	316, acid-proof stainless steel
Weight	8.5 kg
Dimensions	262.5 x 315 x 327.5 mm

## 6.4 Reflector 30x30 cm

Mounting	The reflector is to be mounted perpendicularly to the measuring path direction within $\pm 5$ degrees.
Recommended path length	2–30 metres
Power supply	220 V AC (option 110 V AC)
Power consumption	Max. 60 W at power-up/15 W normal operation
Ex classification	Ex e (when using heater cable)
Material	316, acid-proof stainless steel
Weight	14 kg
Dimensions	308 x 415 x 427.5 mm

## 6.5 Technical data, accessories

### 6.5.1 Gas filter

Dimension of external diameter	16.5 cm
Dimension of aperture	12 cm
Gas response	Approx. 2.4 LELm on standard detector

### 6.5.2 Adjusting sight

Dimensions	15 x 6 x 3.5 cm
Weight	180 g
Material	anodised aluminium

### 6.5.3 Hand terminal

Dimensions	10 x 18 x 4 cm
Weight	450 g
Power supply	24 V nominal, range 18–32 V
Current consumption	0.7 W
Communication	RS485
Ex class	None. Internal voltages only when connected to junction box

## 6.6 Approvals

GD10L is certified in accordance with the requirements that are stated in "Electrical apparatus for explosive atmospheres" formulated in the following standards from CENELEC:

EN/IEC 60079-0	Electrical apparatus for potentially explosive atmospheres. General requirements
EN/IEC 60079-1	Electrical apparatus for potentially explosive atmospheres. Flame-proof enclosure "d"
EN/IEC 60079-7	Electrical apparatus for potentially explosive atmospheres. Increased safety "e"
EN 50270	Electromagnetic compatibility. Electrical apparatus for the detection and measurements of combustible gases, toxic gases or oxygen.
IEC 529	Classification of degrees of protection, First Edition 1996 Amendment no. 1 (1978)

## 6.7 Certificates

CE Declaration of Conformity	807-813263
Atex Certificate: NEMKO No. 07ATEX1437X	806-813231
IECEX NEM 07.0005X	806-816618
Gost-R Certificate: Pattern Approval	806-816500
Gost-R Certificate: Declaration Approval	806-816502
INMETRO TÜV 11.0313 X	806-816762

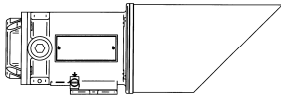
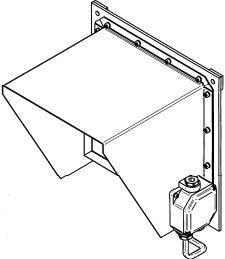
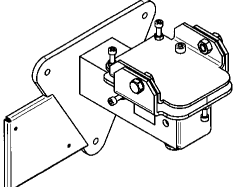
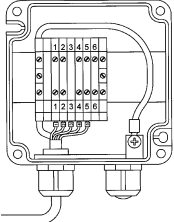
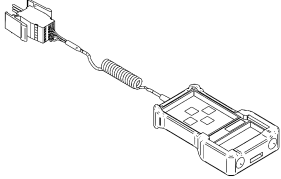
Product identification label

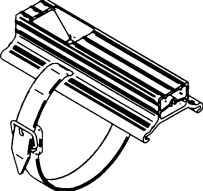
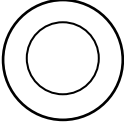
The GD10L identification label is shown in figure below. The composition of the label is in accordance with Atex Directive 94/9/EC



Figure 6-1 Identification label

**7 ORDERING INFORMATION**

	Description	Order no.
	<p>Gas Detector GD10L source Gas Detector GD10L sink</p>	
	<p>Reflector 20x20 Assy 220 V AC Reflector 20x20 Assy 110 V AC Reflector 30x30 Assy 220 V AC Reflector 30x30 Assy 110 V AC</p>	<p>499-812837 499-813540 499-813022 499-813541</p>
	<p>Mounting Bracket</p>	<p>499-812468</p>
	<p>Junction box</p>	<p>108-904807</p>
	<p>Hand Held Terminal Assy</p>	<p>109-813103</p>

	<p>Alignment tool</p>	<p>708-812800</p>
	<p>Gas Test Filter No 1 Gas Test Filter No 2</p>	<p>419-813183 419-813663</p>



