



fill level



water level



pressure



temperature



flow



visualization



signal converter



sensoric



Precont PS4SK

Pressure switch for general applications

*Monitoring of absolute or relative pressure
in gases, vapors, liquids and dust*

*Technical manual
07.17*

Applications

General applications in

- Machinery and plant engineering
- Air-conditioning and refrigeration plant engineering
- Hydraulic and pneumatic systems
- Process industry
- Environmental technology



Main features

Wide range of applications

- Finely graded measuring ranges from 250 mbar up to 600 bar
- Wide process temperature range -40°C to $+135^{\circ}\text{C}$
- Wide variety of process connections
- High protection class IP65 / IP67
- Wide environmental temperature range -40°C to $+85^{\circ}\text{C}$

Ceramic front-flush or internal diaphragm

High accuracy – characteristic deviation $\leq 0,5\%$ of measuring range

Integrated evaluation electronic

- Digital display, function LED's, keyboard
- 2x PNP switch output
- 1x current output 4...20mA
- Connector plug M12

High operating comfort

- Enclosure and display rotatable for optimal operability in each installation position
- Robust high brightness LED display for best readability
- 3-key operation without additional assistance with tactile feedback

ACS-CONTROL-SYSTEM
knowledge and systems



Your partner for measuring technology and automation

You have purchased a high-grade and modern measuring device of ACS-CONTROL-SYSTEM GmbH.

We want to give thanks for your purchase and for your confidence to us.

The actual technical manual includes instructions for installation, electrical connection and inauguration, as well as the technical data of the device.

Modifications, that answer the purpose of the technical progress, are reserved by ACS-CONTROL-SYSTEM GmbH without prior notice.

If a question occurs, that can't be answered by the listed informations, please call on our technicians team in Eggenfelden Tel: +49 8721/ 9668-0 or info@acs-controlsystem.de

All rights reserved

Index

1 System description	4
1.1 Intended use.....	4
1.2 Field of application	4
1.3 System components	5
1.4 Function	5
2 Safety notes	6
2.1 Operational safety.....	6
2.2 Installation, connection, commissioning, operation	6
3 Installation	7
3.1 Installation place	7
3.2 Process and environmental temperature	7
3.3 Installation notes	7
3.4 Air pressure compensation	7
4 Electrical connection	8
4.1 Potential equalization - earthing.....	8
4.2 Connection cable	8
4.3 Supply voltage	8
4.4 Switch output.....	8
4.5 Analogue output	8
4.6 Connection scheme	9
5 Operation	11
5.1 Operation and display parts.....	11
5.2 Function modes	12
5.3 Switch output S1 / S2	12
5.4 Current output	14
5.5 Menu structure	15
5.6 Parameter overview	18
5.7 Error indication at operation	22
6 Service	23
6.1 Maintenance.....	23
6.2 Dismounting.....	23
6.3 Repair	23
6.4 Return.....	23
6.5 Disposal	23
7 Technical Data	24
7.1 Auxiliary power supply.....	24
7.2 Output	24
7.3 Measuring accuracy	24
7.4 Process conditions.....	25
7.5 Environmental conditions	25
7.6 Materials - process wetted	26
7.7 Materials - not process wetted	26
8 Dimension drawings	27
8.1 Terminal enclosure	27
8.2 Temperature decoupler	27
8.3 Process connection.....	28
9 Ordering information	30
9.1 Order code.....	30
9.2 Additional options	31
9.3 Accessories	31

1 System description

1.1 Intended use

The device is an electronic pressure switch for monitoring, control as well as continuous measurement of pressures in gases, vapors, liquids and dusts.

The operational reliability of the device is ensured only at the intended use.

1.2 Field of application

Due to the device construction with

- Measuring ranges from -1 bar to 600 bar, gauge
- Measuring ranges from 1 bar to 40 bar, absolute
- Measuring spans from 250 mbar to 600 bar
- Process temperatures from -40°C to +135°C
- Process materials Al₂O₃-ceramic / CrNi-steel

as well as the availability of industrial standard process connections like

- thread connection ISO 228-1, EN 837 manometer
- thread connection ISO 228-1, inner thread
- thread connection ISO 228-1, EN 1179-2 E
- thread connection ISO 228-1, inner bore
- thread connection ISO 228-1, front-flush

the device is especially suitable for the use for

- Machinery and plant engineering
- Air-conditioning and refrigeration plant engineering
- Hydraulic and pneumatic systems
- Process industry
- Environmental technology
- Facility and building automation

The device is suitable for demanding measuring requirements.

Due to its high accuracy and the high flexibility of configuration, the device can be suited a wide variety of applications.

The robust design and the high-quality workmanship turns the device into a very high quality product, which even the most adverse environmental conditions cannot affect, whether the lowest temperatures when used outdoors, extreme shock and vibration or aggressive media.

A captive laser marking of the type label ensures the identifiability throughout the entire lifetime of the device.

Obviously is the optional marking of a measurement point designation resp. TAG, a customer label or of a neutral type label, of course also per laser marking.

A LABS-free resp. silicone-free version, a factory calibration with calibration certificate and a customer specific configuration resp. preset is also optionally available like a material test certificate EN10204 3.1 or factory certifications for drink water resp. food suitability.

Customer specific special versions can be realized short-term on request, e.g.

- software adaption (menu navigation, special functions, etc.),
- changed terminal assignment resp. connector orientation,
- design adaption of the user surface,
- extended process temperature range up to 400°C
- special designs for the process connection
 - thread connection acc. to ANSI NPT, DIN 13 or JIS
 - flange acc. to EN 1092-1/DIN 2527, ASME or JIS
 - hygienic and aseptic connections, e.g. DIN 11851, Varivent®, Clamp ISO 2852 / BS 4825 / DIN 32676, DRD, DIN 11864, DIN11853, SMS, APV-Inline, BioControl®, Aseptoflex, etc.
- other process materials, e.g. Hastelloy, Titan, PEEK, etc.
- special adjustment

1.3 System components

The device consists on the components:

- Process connection, for installation into the wall of the container or of the pipeline.
- Pressure measuring sensor with ceramic diaphragm, as junction point in direct contact with the applied medium.
- Temperature decoupler, for decoupling of the terminal enclosure from high process temperatures.
- Terminal enclosure, rotatable by 300°, for protection of the integrated signal processing electronic and for the electrical connection.

The components cannot be separated by the user.

1.4 Function

1.4.1 Measuring principle

The system pressure is directly applied to the ceramic diaphragm of the pressure measuring sensor. A dry pressure measuring sensor is used, without using a fill fluid.

The pressure dependent deflection of the diaphragm is transferred directly to a thick film resistance measuring bridge and causes there a change of the bridge output voltage.

1.4.2 Signal processing

The pressure signal is converted by the pressure measuring sensor into an electrical signal and processed by the integrated evaluation electronic according to the respective preferences:

- The measuring value is monitored by two PNP switch outputs for exceedance of limit values.
- The measuring value is converted into a continuous current signal 4...20mA.
- The measuring value is displayed at the robust high brightness LED display.
- Several function LED's signal the device state.
- All settings can be changed comfortable and easy by a 3-key operation without additional assistance with tactile feedback.

The device includes numerous functions to the adaption to nearly each measuring task:

- Adjustable measuring range down to 25% of nominal measuring span
- Integrated unit conversion bar – kPa – MPa – PSI
- Peak value memory minimum – maximum
- Error memory for fast failure analysis
- Hysteresis or window function, time delay and working principle of the switch outputs
- Error indication function to switch output, current output and display
- Simulation of the switch outputs and the current output

2 Safety notes

2.1 Operational safety

The device is safely built and tested according to state-of-the-art technology and has left the factory in perfect condition as regards technical safety.

The device meets the legal requirements of all relevant EU directives. This is confirmed by attaching the CE mark.

This measuring device meets article 4 (3) of the EU directive 2014/68/EU (pressure equipment device directive) and is designed and produced in good engineer practice.

Devices with measurement end value > 200 bar are constructed for media of fluid group 2.

2.2 Installation, connection, commissioning, operation

Installation, electrical connection, commissioning and operation of the device must be made by a qualified and authorized expert according to the information's in this technical manual and the relevant standards and rules. This expert must have read and understood this technical manual and especially the safety notes.

The device may only be used within the permitted operation limits that are listed in this technical manual. Every use besides these limits as agreed can lead to serious dangers.

The materials of the device must be checked for compatibility with the respective application requirements (contacting materials, process temperature) before use. An unsuitable material can lead to damage, abnormal behavior or destruction of the device and to the resulting dangers.

The sensors may not be used as sole device for prevention of dangerous conditions in machines and plants.

Using the device in a manner that does not fall within the scope of its intended use, disregarding this instruction, using under-qualified personnel, or making unauthorized alterations releases the manufacturer from liability for any resulting damage. This renders the manufacturer's warranty null and void.

3 Installation

The correct function of the device within the specific technical data can only be guaranteed, if the permitted process and environmental temperatures (see chapter „Technical data“) will not be exceeded.

3.1 Installation place

The installation of the device at locations where high pressure blows can occur should be avoided.

At a pressure measurement in gases, the device should be installed above the tapping point, so that the condensate can flow into the process.

At a pressure measurement in steams, the device should be installed after a siphon and a shut-off device below the tapping point.

The siphon reduces the temperature to almost ambient temperature.

Fill the siphon with fluid before commissioning.

At a pressure measurement in liquids, the device should be installed after a shut-off device below or at the same level as the tapping point.

At a filling level measurement in liquids, the device should be installed below the lowest measuring point. Do not mount the device in the fill flow, in the suction area of a pump, in the tank outlet or at a point in the container which could be affected by pressure pulses from an agitator. Calibration and functional test can be carried out more easily if you mount the device after a shut-off device.

The installation position can have an influence on the measuring result of the kind of a zero value shift because of the deadweight of the measuring diaphragm. The correction of this deviation at the device is possible.

3.2 Process and environmental temperature

The installation of the device should be made if possible at temperature calmed places to get a reliable measuring result.

Strong temperature steps, e.g. at filling of a hot liquid into a cold system, can produce a short-time higher measuring signal deviation.

At high process temperatures a heat transfer to the terminal enclosure can be reduced by isolation of the medium carrying part of the plant.

3.3 Installation notes

Drive the system pressure free prior installation resp. deinstallation of the sensor.

The protective cap, which is attached at the diaphragm, must only be removed immediately before the installation.

The diaphragm must not be point loaded, because this can lead to diaphragm damage.

The installation of the device into a closed off completely with process liquid filled connection can lead to destruction of the measuring diaphragm. The reduction of the volume of the liquid at screw-in leads to a very high pressure boosting, which can exceed the permitted maximum value by a multiple. Thus, before installation, the connection must be sufficiently emptied.

The screw-in of the thread process connection by using the terminal enclosure, the connection plug resp. the connection cable is not permitted.

The tightening of the thread process connection may only be done at the hexagon by a suitable spanner and with the maximum permitted torque strength (see chapter „Technical data“).

3.4 Air pressure compensation

Avoid the damaging or pollution of the pressure compensation system.

The hindrance of the pressure compensation can lead to faulty measuring results.

The filter element of the pressure compensation system is positioned at the side of the enclosure.

4 Electrical connection

The electrical connection of the device must be carried out according to the respective country specific standards.

Incorrect installation or adjustment could cause applicationally conditioned risks.

Warning!

The instrument may only be installed if the supply voltage is switched off.

4.1 Potential equalization - earthing

The device must be grounded.

The earthing can be carried out by the metallic process connection.

The metallic parts of the device are electrically connected with the socket of the plug M12.

4.2 Connection cable

Use only shielded signal and measurement wires and install these wires separated from power leading wires.

Connect the cable shield of a connected cable only at one side to earth, ideally at the installation place of the device.

4.3 Supply voltage

The voltage applied to the terminal contacts may not exceed the maximum permitted supply voltage to avoid damage of the electronic.

The maximum permitted supply voltage range is:

All versions	10,5...35V _{DC}
--------------	--------------------------

All connections are reverse polarity protected.

4.4 Switch output

Warning!

Inductive loads at the PNP switch outputs, e.g. relays, contactors or magnetic vents may only be used with a free-wheeling diode or a RC protection circuit to avoid high voltage peaks.

Note!

For inauguration it is suggested, to deactivate all connected control devices, to avoid unwanted control reactions.

The load at the PNP switch output will be connected to the terminal +L of the supply voltage by a semiconductor switch contactless and by this bounce-free.

At an activated switch state a positive signal near supply voltage is feed to the output.

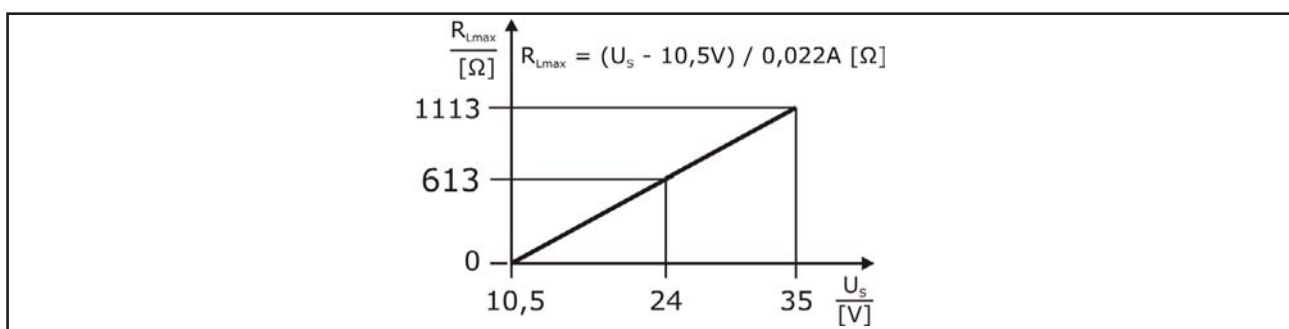
At deactivated switch state and at failure of supply voltage the semiconductor switch is shut off.

The PNP switch output is current limited, overload and short circuit protected.

4.5 Analogue output

4.5.1 Current output – Load resistor

A load resistor, e.g. the measuring shunt of an evaluation device, requires a minimum supply voltage [U_{Smin}]. Dependent on the connected supply voltage [U_S], it results in a maximum value for this resistor [R_{Lmax}], where a correct function is still possible.



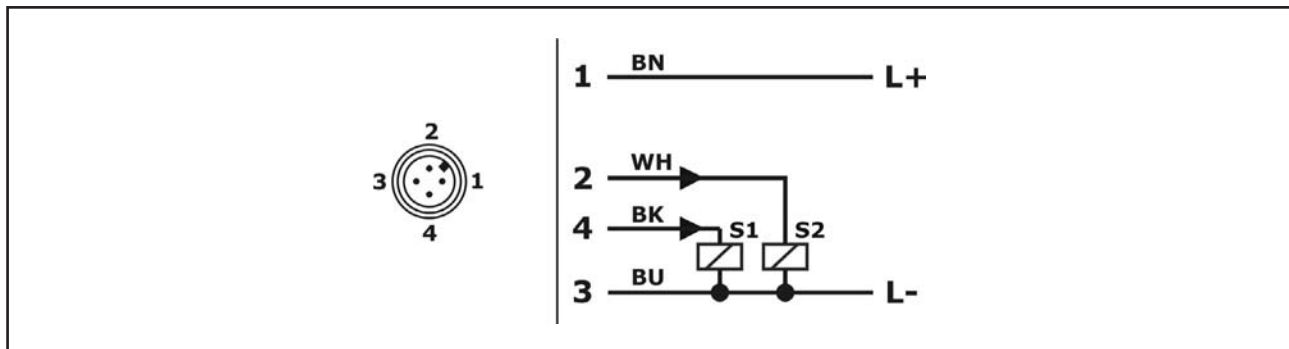
4.6 Connection scheme

Conductor color standard connection cable M12 – A-coded:

- BN = brown
- WH = white
- BU = blue
- BK = black
- GY = grey

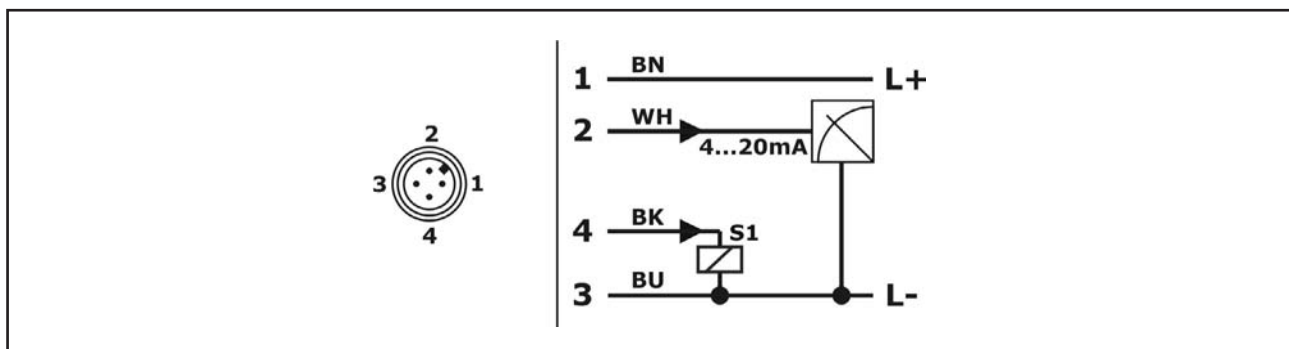
4.6.1 Electronic output type A

2x switch PNP, supply 24VDC



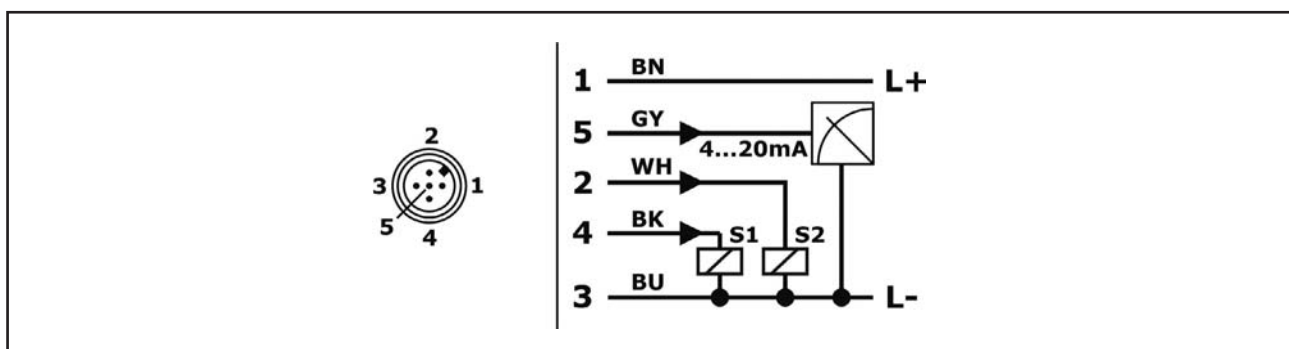
4.6.2 Electronic output type B

1x signal 4...20mA, 1x switch PNP, supply 24VDC



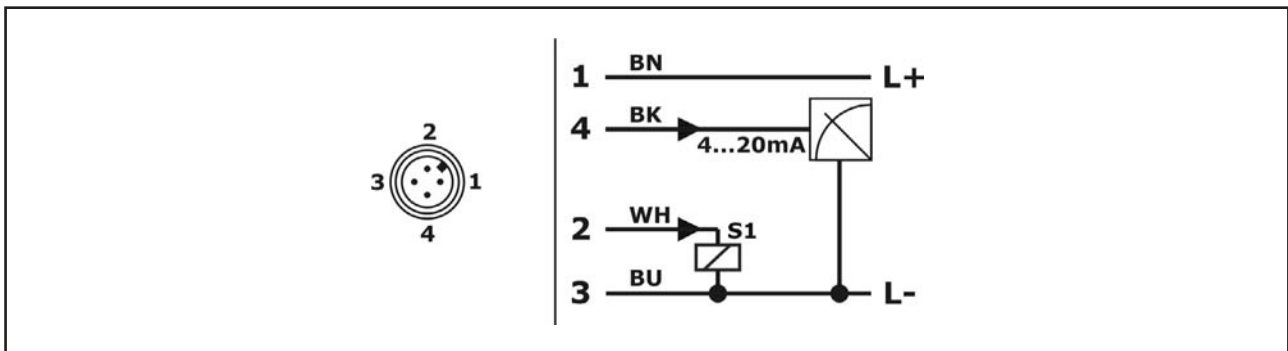
4.6.3 Electronic output type C

1x signal 4...20mA, 2x switch PNP, supply 24VDC



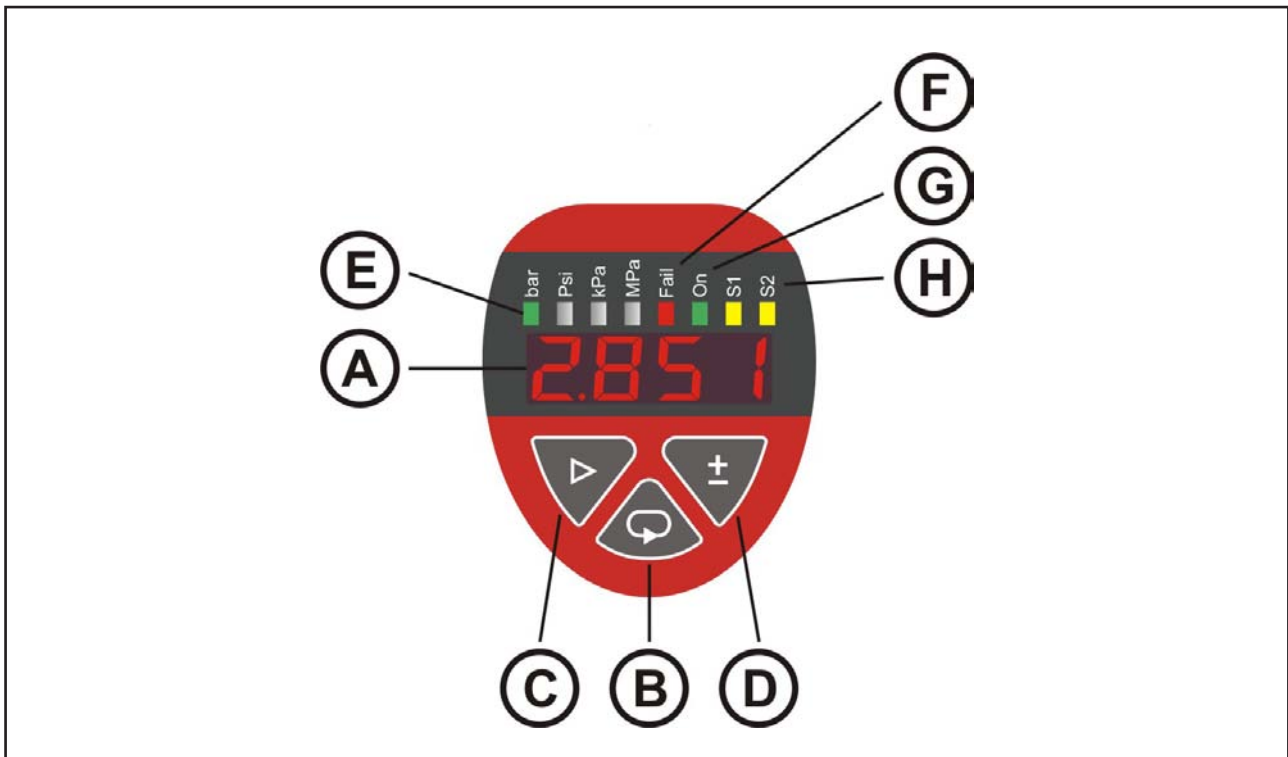
4.6.4 Electronic output type D

1x signal 4...20mA, 1x switch PNP, supply 24VDC / Desina conformal



5 Operation

5.1 Operation and display parts



A – LED display

- Display of measuring value and operation menu

B - Key Set

- Access to operation menu
- In the selection menu entering the selected sub menu
- In the set menu applying the new value

C - Key Change

- Change between sub menu
- Cancel value input without applying
- Changeover the counter advance sense of the key +/- from + resp. increasing to - resp. decreasing.

D - Key +/-

- Value changing by + resp. increasing or - resp. decreasing. The counter advance sense is at first always + resp. increasing. Changing counter advance sense by the key Change.
- Change setting in a selection menu

E - Unit LED

- Indication unit by green LED

F - Error indication LED

- Indication abnormal behavior by red LED

G - Operation LED

- Indication ready status by green LED

H - Switch condition LED

- Indication of an active switch output by the respective yellow LED

5.2 Function modes

5.2.1 Run mode

The device records the applied physical measurand and proceeds the chosen functions according to the set parameter.

The active operation is confirmed by the green operation light-emitting diode.

The measuring value is displayed in the display window.

The chosen unit is marked through the come on of the respective green unit light-emitting diode.

The current output and the switch outputs are driven.

A turned on switch output is signaled by the come on of the respective yellow switch condition LED.

The exceedance of the frame specifications, abnormal behavior conditions and also device malfunctions are displayed static or flashing by the red error indication LED.

5.2.2 Programming mode

Access to the function menus by the key Set.

- In the switch function menu – password 1903 – all the adjustable parameter and functions are chosen especially for the use of the device as switch.
- In the transmitter function menu – password 3009 – all the adjustable parameter and functions are chosen especially for the use of the device as transmitter by using the analogue output.
- In the switch point menu – password 1111 – only switch resp. switch back point of the PNP switch output resp. outputs are accessible for fast adjustment. The function of the switch outputs can be displayed.

The display settings, the service parameters system damping, error memory and minimum / maximum value memory and also the reset of all parameter to factory values can be equally accessed from the two menu structures switch function menu and transmitter function menu.

5.3 Switch output S1 / S2

5.3.1 Switch Point / Reset Switch Point

The input values refer to the current measuring value or acc. to display scaling.

The reset switch point must be lower or equal to the switch point.

For both switch functions, there is no default minimum difference (hysteresis) between switch resp. switch back point resp. between upper and lower switch point.

If the switch back point is set higher or equal to the switch point resp. the lower switch point is set higher or equal to the upper switch point the switch back point is set automatically to the switch point resp. the lower switch point is set automatically to the upper switch point.

The red error indication LED is flashing.

In the error memory service (SEr) / error memory (ErrM) there will be the indication of the concerning switch output (S1oG or S2oG).

5.3.2 Switch Delay Time / Reset Switch Delay Time

The activation resp. deactivation of the switch output can be biased with a delay time (resolution 0,1s), to realize simple sequence control system.

5.3.3 Operating Mode

The operating mode defines the function direction of the switch output.

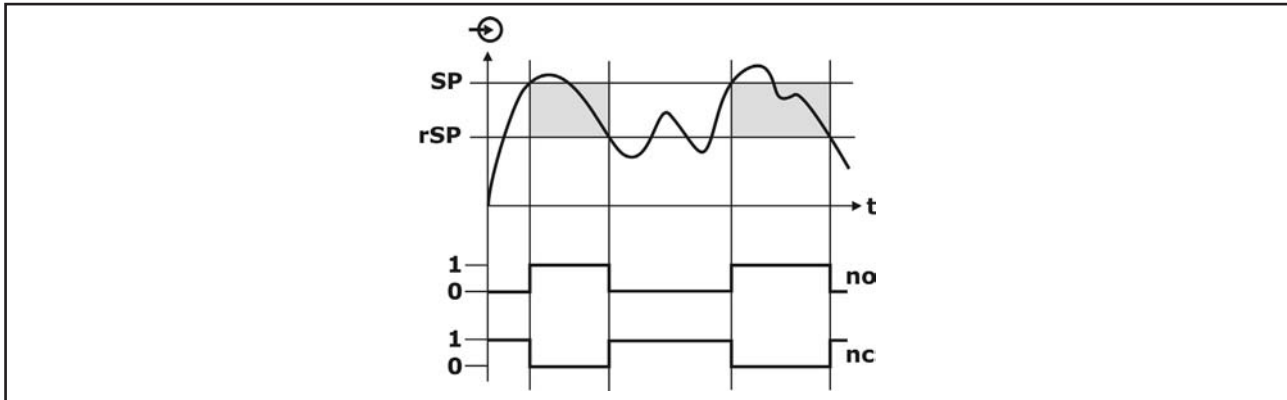
Normal Open / NO

- At the output there is no signal, if the switch condition is not fulfilled.
- At the output there is a signal, if the switch condition is fulfilled.

Normal Close / NC

- At the output there is a signal, if the switch condition is not fulfilled.
- At the output there is no signal, if the switch condition is fulfilled.

5.3.4 Hysteresis function



The hysteresis function realizes a stable switch state, independent from system conditioned signal fluctuations around the adjusted set point.

It can be used for realizing a signal controlled two-position control.

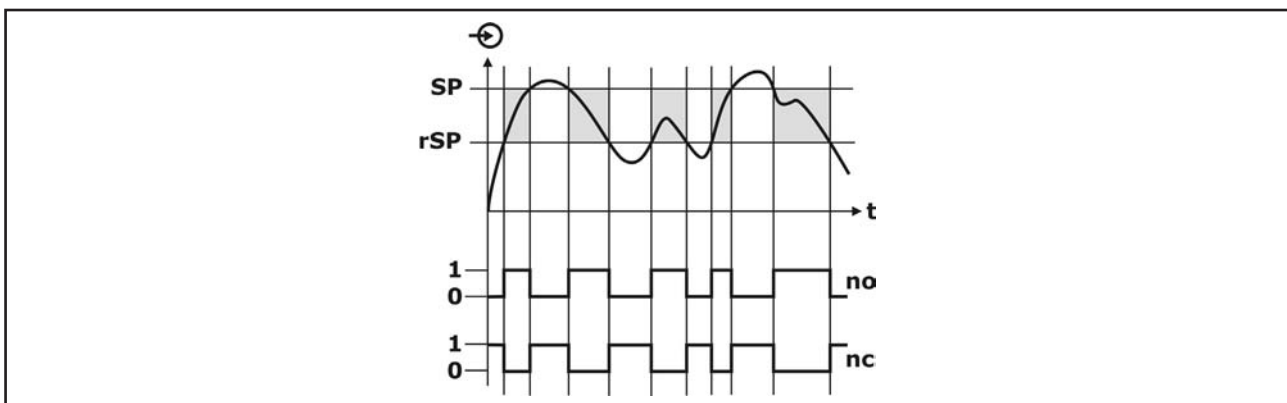
The switch range is determined by input the switch point and switch back point.

The switch output is activated, if the current measuring value exceeds the switch point and if the set switch point delay time has been expired.

The switch output is deactivated, if the current measuring value exceeds the reset switch point and if the set reset switch point delay time has been expired.

The actual applied measuring signal can be applied or an arbitrary value can be set as switch resp. switch back point.

5.3.5 Window function



The window function realizes a signal range – acceptance region –, where the switch output is set to a definitive switch state.

The switch range is determined by input the switch point and switch back point.

The switch output is activated, if the current measuring value is inside the area that is defined by the switch point and the reset switch point and if the set switch point delay time has been expired.

The switch output is deactivated, if the current measuring value is outside the area that is defined by the switch point and the reset switch point and if the set reset switch point delay time has been expired.

The actual applied measuring signal can be applied or an arbitrary value can be set as switch resp. switch back point.

5.3.6 Error Indication Function

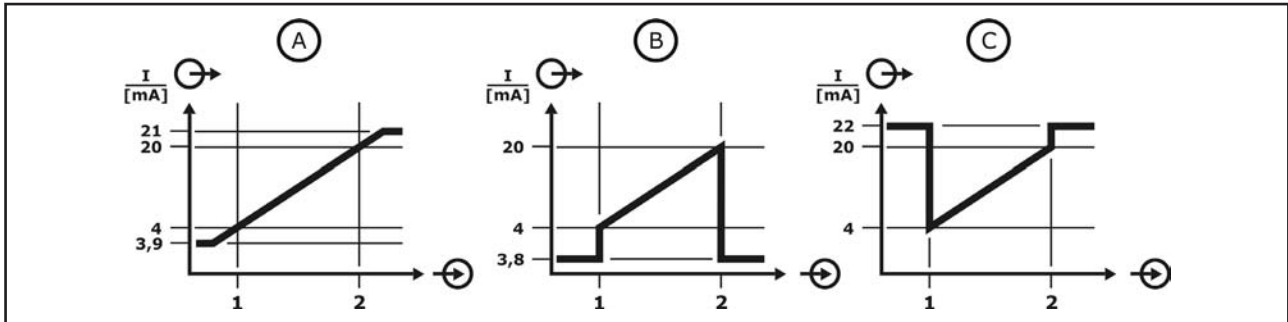
The switch output S1 can be alternatively used for error indication function. Doing this a switch action happens, if the output signal becomes higher than 20mA resp. lower than 4mA.

5.4 Current output

The nominal values of the current output (4mA/20 mA) refers to the set signal zero and signal end value.

5.4.1 Error Signal

Defines, the current output regarding operating range and if errors are registered.



A - Off >> 3.9-21mA

B - 3.8mA

C - 22mA

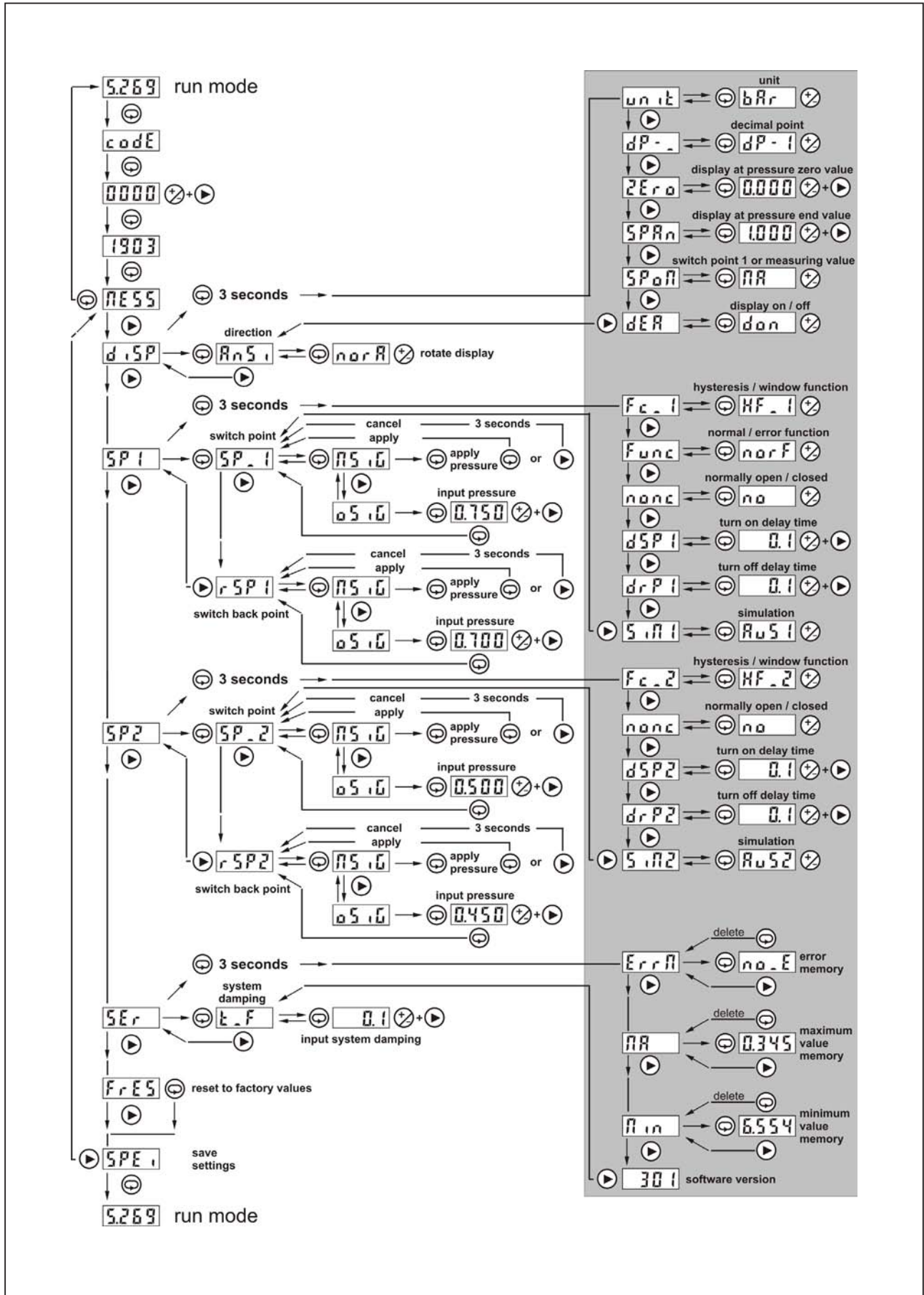
5.4.2 Invert Signal

Inverts the current output.

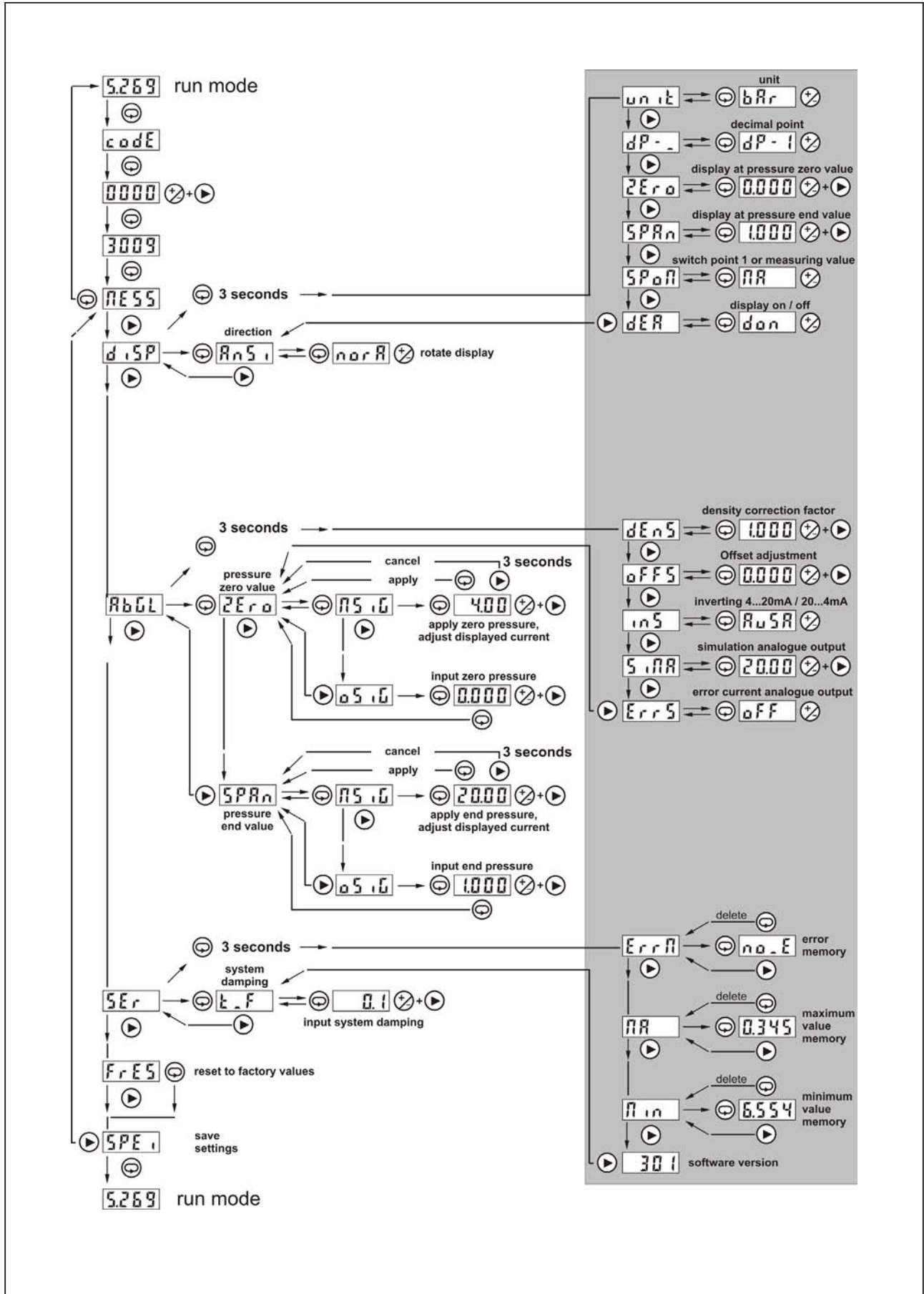
- 4-20mA >> 20-4mA

5.5 Menu structure

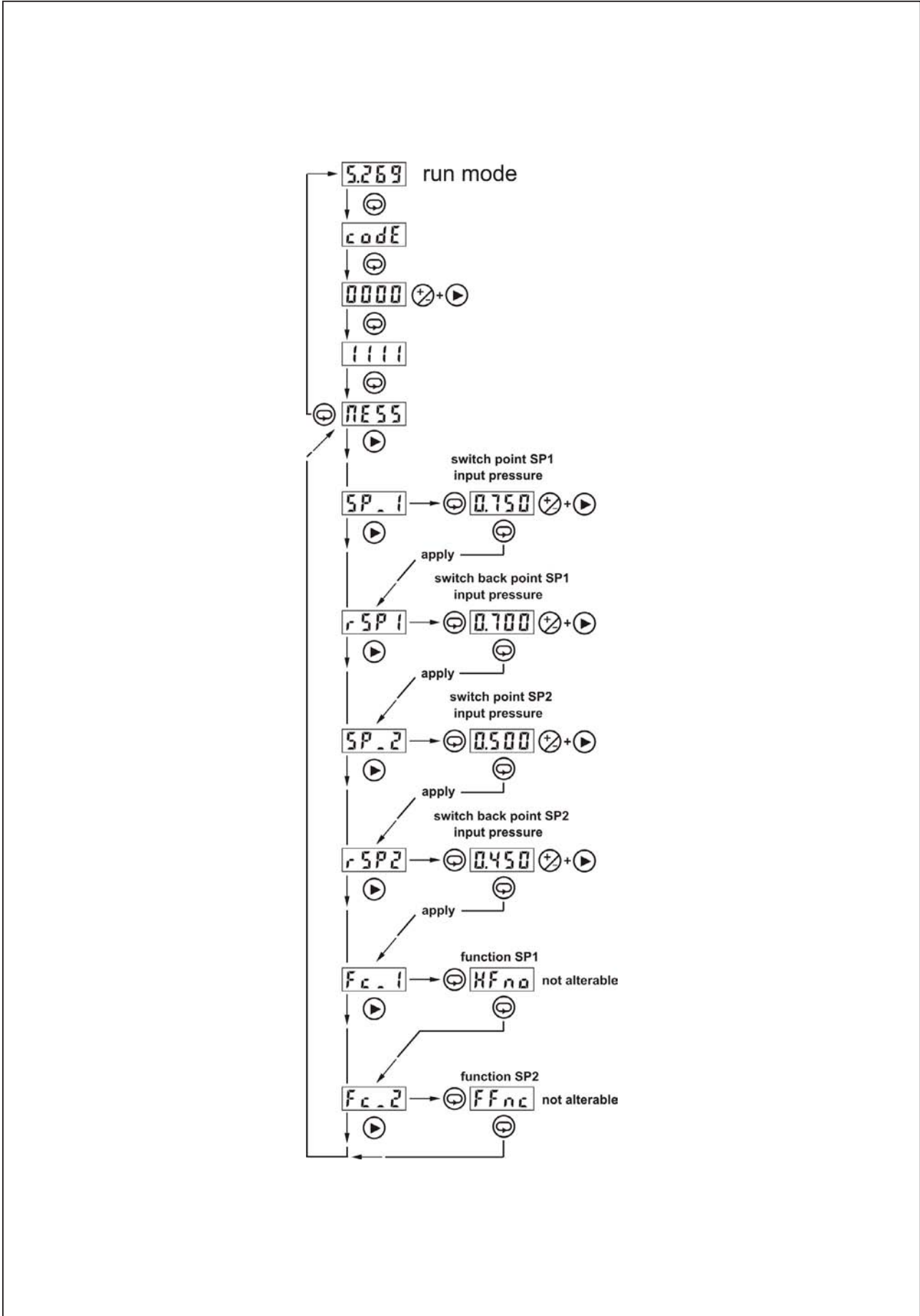
5.5.1 Menu structure switch function - password 1903



5.5.2 Menu structure transmitter function - password 3009



5.5.3 Menu structure switch point - password 1111



5.6 Parameter overview

Menu group	Function	Input	Description
code		3009	Password input for the access to the transmitter function menu
		1903	Password input for the access to the switch function menu
		1111	Password input for the access to the switch point menu

Menu group	Function	Input	Description
d,SP			DISPLAY – includes all parameters concerning the display
	Ansi	norR	View normal
		GE dR	View rotated by 180°
	Unit	bRR	Unit bar
		KPR	Unit kPa perhaps not possible when pressure range is too high
		PSI	Unit psi perhaps not possible when pressure range is too high
		MPR	Unit MPa perhaps not possible when pressure range is too low
			If the gradient of the characteristic >> pressure – display << is changed in the menu group Adjustment, the indication of the unit is deactivated because this value is wrong now. An offset correction, which means an even shift of the lower and the upper pressure reference value does not change the gradient of the characteristic. When changing this settings the switch resp. switch back point are adjusted corresponding to the changed characteristic >> pressure – display <<.
	dP -	dP-0	No decimal point, the measuring value is displayed without decimal place
		dP-1	One decimal point, the measuring value is displayed with one decimal place
		dP-2	Two decimal point, the measuring value is displayed with two decimal place
		dP-3	Three decimal point, the measuring value is displayed with three decimal place
			If an increase of the display resolution is not possible, there will be a scaling correct to the unit. At a conversion e.g. at unit kPa with one decimal point to three decimal points, there will be proceeded automatically a conversion of the unit to bar. Otherwise there is only a shift of the decimal point. When changing this settings the switch resp. switch back point are adjusted corresponding to the changed characteristic >> pressure – display <<.
	ZEr0		Freely adjustable lower display value. This value equals the adjusted lower pressure reference value. When changing this value the switch resp. switch back point are adjusted corresponding to the changed characteristic >> pressure – display <<.
	SPRn		Freely adjustable upper display value. This value equals the adjusted upper pressure reference value. When changing this value the switch resp. switch back point are adjusted corresponding to the changed characteristic >> pressure – display <<.
	SPaR	RR	Display measuring value - the actual measuring value is shown in the display
		SPR	Display switch value - the upper limit value of the switch point 1 is shown in the display
	dER	don	Display indication on – measurement value and status LED are indicated
		doff	Display indication off – measurement value and unit LED are deactivated in the run mode. The operation, error and switch condition indicator LED are still in process. When accessing the password input by simultaneous pushing the two operation keys +/- and > for three seconds, the complete display is switched on again.

Menu group	Function	Input	Description
SP1			Switch output 1 – includes all parameters concerning the switch output 1
	SP_1	PS_1	Adjustment with applied signal – The actual applied pressure value is captured as switch point resp. upper switch point
		oS_1	Adjustment without applied signal – The actual switch point / upper switch point is shown in the display and can now be adjusted by the operation keys +/- and >.
	rSP_1	PS_1	Adjustment with applied signal – The actual applied pressure value is captured as switch back point resp. lower switch point
		oS_1	Adjustment without applied signal – The actual switch back point / lower switch point is shown in the display and can now be adjusted by the operation keys +/- and >.
	Fc_1	HF_1	The switch output 1 operates in hysteresis function with switch point and switch back point
		FF_1	The switch output 1 operates in window function with lower and upper switch point
	Func	norF	Normal function – The switch output 1 operates in hysteresis or in window function
		ErrF	Error indication function – The switch output 1 operates in error indication function for the current output. At underrun of 4mA resp. at exceedance of 20mA, the switch output 1 is activated depending on the settings as closed-circuit or as open-circuit.
	nonc	no	The switch output 1 operates in open-circuit principle resp. – no normally open
		nc	The switch output 1 operates in closed-circuit principle resp. – nc normally closed
	dSP1		Switch delay time for switch point / upper switch point of switching output 1. The switching output 1 is only activated, if after the entrance of the switch condition and after the set switch delay time the pressure signal already fulfills the switch conditions. By this e.g. short pressure bursts can be eliminated. The adjustment range is 0...99 seconds, in steps of 0,1 seconds
	drP1		Switch delay time for switch back point / lower switch point of switching output 1. The switch output 1 is only activated, if after the entrance of the switch back condition and after the set switch delay time the pressure signal already fulfills the switch back conditions. By this e.g. short pressure bursts can be eliminated. The adjustment range is 0...99 seconds, in steps of 0,1 seconds
	Sim1	RuS1	Simulation – the switch output 1 is deactivated
Ei1		Simulation – the switch output 1 is activated	

Menu group	Function	Input	Description
SP2			Switch output 2 – includes all parameters concerning the switch output 2
	SP_2	PS_2	Adjustment with applied signal – The actual applied pressure value is captured as switch point resp. upper switch point
		oS_2	Adjustment without applied signal – The actual switch point / upper switch point is shown in the display and can now be adjusted by the operation keys +/- and >.
	rSP_2	PS_2	Adjustment with applied signal – The actual applied pressure value is captured as switch back point resp. lower switch point
		oS_2	Adjustment without applied signal – The actual switch back point / lower switch point is shown in the display and can now be adjusted by the operation keys +/- and >.
	Fc_2	HF_2	The switch output 2 operates in hysteresis function with switch point and switch back point
		FF_2	The switch output 2 operates in window function with lower and upper switch point
	nonc	no	The switch output 2 operates in open-circuit principle resp. – no normally open
		nc	The switch output 2 operates in closed-circuit principle resp. – nc normally closed
	dSP2		Switch delay time for switch point / upper switch point of switching output 2. The switch output 2 is only activated, if after the entrance of the switch condition and after the set switch delay time the pressure signal already fulfills the switch conditions. By this e.g. short pressure bursts can be eliminated. The adjustment range is 0...99 seconds, in steps of 0,1 seconds
	drP2		Switch delay time for switch back point / lower switch point of switching output 2. The switch output 2 is only activated, if after the entrance of the switch back condition and after the set switch delay time the pressure signal already fulfills the switch back conditions. By this e.g. short pressure bursts can be eliminated. The adjustment range is 0...99 seconds, in steps of 0,1 seconds
	Sim2	RuS2	Simulation – the switch output 2 is deactivated
		Ei2	Simulation – the switch output 2 is activated

Menu group	Function	Input	Description
RbGL			Adjustment – includes all parameters concerning the pressure adjustment
	2Ero	ns iG	Adjustment lower pressure reference value with applied signal - The actual applied pressure value is captured as lower pressure reference value. - The output current of 4mA, that can be adjusted by the control keys +/- and > arbitrarily, is assigned to this pressure reference value. Adjustment range 3,9mA to 21mA. - The 2Ero value of the display refers to this pressure reference value. - If the adjusted measuring range is lower than 25% of the nominal measuring range, the change will be refused and the display shows EEEE.
		as iG	Adjustment lower pressure reference value without applied signal - The freely adjustable pressure value, in the set unit - Unit-, is captured as lower pressure reference value. - The 2Ero value of the display refers to this pressure reference value. - The lower output current end value, 4mA, refers to this pressure reference value. - The measuring span cannot be adjusted lower than 25% of the nominal measuring range.
			If the end value will not be changed by the same amount as the zero value, the gradient of the characteristic >> pressure – display << is changed and by this the indication of the unit is deactivated because it is no more longer correct.
	SPAn	ns iG	Adjustment upper pressure reference value with applied signal - The actual applied pressure value is captured as upper pressure reference value. - The output current of 20mA, that can be adjusted by the control keys +/- and > arbitrarily, is assigned to this pressure reference value. Adjustment range 3,9mA to 21mA. - The SPAn value of The display refers to this pressure reference value. - If the adjusted measuring range is lower than 25% of the nominal measuring range, the change will be refused and the display shows EEEE.
		as iG	Adjustment upper pressure reference value without applied signal - The freely adjustable pressure value, in the set unit - Unit-, is captured as upper pressure reference value. - The SPAn value of The display refers to this pressure reference value. - The upper output current end value, 20mA, refers to this pressure reference value. - The measuring span cannot be adjusted lower than 25% of the nominal measuring range.
			If the zero value will not be changed by the same amount as the end value, the gradient of the characteristic >> pressure – display << is changed and by this the indication of the unit is deactivated because it is no more longer correct.
	dEnS		Freely adjustable density correction factor in the range of 0.500 to 2.000. This factor is applied on the measured pressure concerning to the adjusted pressure range. If a density correction factor divergent to 1 is set, the indication of the unit is deactivated, because the gradient of the characteristic >> pressure – display << has changed and the unit is no more longer correct.
	oFFS		The measured pressure in the set unit will be shift by the set value accordingly to the sign by maximum ± 5% of the nominal measuring range. Upper and lower pressure reference value will be shift by the same value. To get e.g. a display (desired value) of 0.000 resp. an output current of 4mA at a shown installation dependent pressure of 0.004, the difference between desired pressure value and shown pressure value (0.000 – 0.004) must be input. Thus the value -0.004 must be input.
	inS	RUSR	The output current corresponds to the assignment of the adjustment >> 4...20mA
		E inR	The output current behaves inverted to the assignment of the adjustment >> 20...4mA
	S inR		The current output can be arbitrarily simulated in the whole utilizable range from 3,8mA to 22mA by using the operation keys +/- and >.
	ErrS	oFF	The current output operates linear in the range from 3,9mA to 21,0mA. A current output besides this limits is not possible, the end values are kept at exceedance. An error current output at underrun resp. exceedance does not occur.
F538		The current output operates linear in the range from 4,0mA to 20,0mA. At underrun of 4mA resp. at exceedance of 20mA a constant current of 3,8mA is generated.	
F522		The current output operates linear in the range from 4,0mA to 20,0mA. At underrun of 4mA resp. at exceedance of 20mA a constant current of 22mA is generated.	

Menu group	Function	Input	Description	
SEr			Service – includes all parameters concerning service purposes	
	t_F		Input of the system damping for extraction of short pressure bursts resp. also for reassuring of cyclic fluctuating pressure signals. The adjustment range is 0...40 seconds, in steps of 0,1 seconds	
	Errn	noE		No error recorded in the error memory.
		dun		Permanent underrun of the maximum permitted system pressure.
		dob		Permanent transgression of the maximum permitted system pressure.
		FLRS		An error in the internal nonvolatile data memory (flash) has been detected.
		dunE		The lower measuring range limit value (display zero) has been underrun.
		dubE		The upper measuring range limit value (display span) has been exceeded.
		RunE		The lower limit value of the current output (3,9mA) has been underrun.
		RubE		The upper limit value of the current output (21mA) has been exceeded.
		S1oG		The switch back point rSP1 of the switch output 1 has been adjusted higher or equal to the switch point SP_1.
		S2oG		The switch back point rSP2 of the switch output 2 has been adjusted higher or equal to the switch point SP_2.
	S1oP		The switch output 1 is not activated, although it should be.	
S2oP		The switch output 2 is not activated, although it should be.		
rRN		An error in the internal working memory (RAM) has been detected.		
NR		Maximum value memory – display of the highest measured pressure value.		
Min		Minimum value memory – display of the lowest measured pressure value.		
301		Version number of the installed firmware		
FrES			Factory Reset – reset of all parameters to factory values	
SPEI			Storage – loss protected storage of all parameters	

Menu group	Function	Input	Description
Switch point menu			
SP_1			The current switch point / upper switch point of switch output 1 is shown in the display and can be adjusted by the control keys +/- and >.
rSP1			The current switch back point / lower switch point of switch output 1 is shown in the display and can be adjusted by the control keys +/- and >.
SP_2			The current switch point / upper switch point of switch output 2 is shown in the display and can be adjusted by the control keys +/- and >.
rSP2			The current switch back point / lower switch point of switch output 2 is shown in the display and can be adjusted by the control keys +/- and >.
Fc_1			The set switch function of the switch output 1 is displayed. This setting cannot be changed here.
	HFno		The switch output 1 operates in hysteresis function with working principle normal open
	HFnc		The switch output 1 operates in hysteresis function with working principle normal closed
	FFno		The switch output 1 operates in window function with working principle normal open
	FFnc		The switch output 1 operates in window function with working principle normal closed
Fc_2			The set switch function of the switch output 2 is displayed. This setting cannot be changed here.
	HFno		The switch output 2 operates in hysteresis function with working principle normal open
	HFnc		The switch output 2 operates in hysteresis function with working principle normal closed
	FFno		The switch output 2 operates in window function with working principle normal open
	FFnc		The switch output 2 operates in window function with working principle normal closed

5.7 Error indication at operation

The red error indication light-emitting diode indicates the exceedance of operation limit values, faulty inputs or also device errors.

The information, what reason has led to an error indication can be found in each of the two function menus in the area extended functions of the menu point service.

Only the last detected error is displayed.

The error information in the service menu is not stored in the case of a voltage fail.

At every restart of the device the system is completely tested concerning the parameters and settings.

light-emitting diode	error indication in service menu	description / remedy
red yellow – flashing	no	Short circuit at the switch output, whose yellow switch condition LED is flashing. Check the load at the respective switch output.
red	dun	Permanent underrun of the minimum permitted system pressure. Check the system pressure in your plant. If the system pressure is within the permitted range, there can be an irreversible device defect.
red	dob	Permanent exceedance of the maximum permitted system pressure. Check the system pressure in your plant. If the system pressure is within the permitted range, there can be an irreversible device defect.
red	FLRS	An error in the internal nonvolatile data memory (flash) has been detected. If the error cannot be removed after repeated restart of the device by short voltage interrupts, there can be an irreversible device defect.
red – flashing	dunt	The lower measuring range limit value (value in Disp-2Er0) has been underrun. Check the system pressure of your plant. This pressure may be lower than the measuring range zero value.
red – flashing	duEb	The upper measuring range limit value (value in Disp-5PRn) has been exceeded. Check the system pressure of your plant. This pressure may be higher than the measuring range end value.
red – flashing	Runt	The lower limit value of the current output (3,9mA) has been underrun. Check the adjustment of the current output. The system pressure is lower than the pressure concerning to the current output at 3,9mA.
red – flashing	RuEb	The upper limit value of the current output (21mA) has been exceeded. Check the adjustment of the current output. The system pressure is higher than the pressure concerning to the current output at 21mA.
red – flashing	S1oG	The switch back point rSP1 of the switch output 1 has been adjusted higher or equal to the switch point SP_1. Check the adjustment of the switch output 1
red – flashing	S2oG	The switch back point rSP2 of the switch output 2 has been adjusted higher or equal to the switch point SP_2. Check the adjustment of the switch output 2
red – flashing	S1oP	An error has been detected at switch output 1. Detach the output load of the switch output 1. If the error cannot be removed after repeated restart of the device by short voltage interrupts, there can be an irreversible device defect.
red – flashing	S2oP	An error has been detected at switch output 2. Detach the output load of the switch output 2. If the error cannot be removed after repeated restart of the device by short voltage interrupts, there can be an irreversible device defect.
red – flashing	rRN	An error in the internal working memory (RAM) has been detected. If the error cannot be removed after repeated restart of the device by short voltage interrupts, there can be an irreversible device defect.
EEEE	Display while operation	Wrong password entered – Acknowledgment by control key „Set“ Measuring range adjusted to ± 25% of the nominal range – Readjustment necessary Maximum display value of 9999 has been exceeded – Readjustment necessary
-EEE	Display while operation	Minimum display value of -999 has been underrun – Readjustment necessary
0.004	Display while operation	At an offset adjustment the unit LED goes out Always zero and end value must be changed by the same amount. If e.g. only the zero value is changed, the characteristic pressure – display is no more longer correct

6 Service

6.1 Maintenance

The device is free of maintenance.

Special substances can lead to solid coatings on the sensor. Seized depositions can lead to faulty measurement results.

In the case of coat forming liquids the sensor must be regularly cleaned e.g. with clear water. Don't use sharp resp. hard tools or aggressive chemicals for cleaning.

6.2 Dismounting

Attention – Risk of burns!

Let the device cool down sufficiently fore dismounting it

During dismounting there is a risk of dangerously hot media escaping.

Attention – Risk of injury!

Dismount the device only when the system is pressureless.

During dismounting there is a risk of fast escaping media resp. pressure blow.

6.3 Repair

A repair may only be carried out by the manufacturer.

If the device is sent back for repair, the following information's must be enclosed:

- An exact description of the application.
- The chemical and physical characteristics of the product.
- A short description of the occurred error.

6.4 Return

Before returning the device, the following measures must be performed:

- All adhesive product residues must be removed. This is especially important, if the product is unhealthily, e.g. caustic, toxic, carcinogenic, radioactive etc.
- A returning must be refrained, if it is not possible by 100% to remove the unhealthily product completely, because e.g. it is penetrate into cracks or is diffused through plastic.

6.5 Disposal

Dispose of instrument components and packaging materials in an environmentally compatible way and in accordance with the country-specific waste disposal regulations.

This instrument is not subject to the WEEE directive and the respective national laws. Hence, pass the instrument directly on to a specialized recycling company and do not use the municipal collecting points. These may be used only for privately used products according to the WEEE directive.

7 Technical Data

7.1 Auxiliary power supply

Supply voltage U_s	10,5...35V _{DC} , reverse polarity protected
Residual ripple U_{pp}	$\leq 2V_{pp} / U_{Smin} \leq U_s \leq U_{Smax}$
Supply current I_{in}	$\leq 60mA$ Analogue output max. 22,5mA Switch output with no load

7.2 Output

7.2.1 Analogue output – current 4...20mA

Operating range I_{out}	3,9...21mA, min. 3,8mA, max. 22mA
Permitted load R_l	$\leq (U_s - 10,5V) / 22mA$
Step response time T_{90}	$\leq 3ms$ ($t_d = 0s$)
Start-up time t_{on}	$\leq 1s$

7.2.2 Switch output S1 / S2

Function	PNP switch to +L
Output voltage U_{out}	$U_{out} \geq U_s - 2V$
Output current I_l	0... $\leq 200mA$, current limited, short circuit protected
Step response time T_{90}	$\leq 4ms$ ($t_d = 0s$)
Rise time T_{90}	$< 30\mu s$ ($R_l < 3k\Omega / I_{out} > 4,5mA$)
Start-up time t_{on}	$\leq 1s$
Switch cycles	$\geq 100.000.000$

7.3 Measuring accuracy

Reference conditions	EN/IEC 60770-1	
	Environmental temperature	25°C
	Environmental air pressure	860..1060kPa
	Air humidity	45...75% r.h.
	Warm-up time t_{on}	240s
	Supply voltage U_s	24V _{DC} $\pm 0,1V$
	Calibration position	Vertical Process connection bottom

Characteristic deviation ^{3) 5) 6) 12)}	$\leq \pm 0,5\% FS$ ²⁾
Nonlinearity + Hysteresis ^{6) 12)}	$\leq \pm 0,4\% FS$ ²⁾
Repeatability ^{6) 12)}	$\leq \pm 0,1\% FS$ ²⁾
Influence of supply voltage	$\leq \pm 0,002\% FS$ ²⁾ / V
Long term drift ^{6) 12)}	$\leq \pm 0,2\% FS$ ²⁾ / year - not cumulative
Temperature deviation ^{6) 12)}	T_k ⁴⁾ <u>Zero+Span</u> Measuring range 0...250 mbar to 0...2,5 bar $\leq \pm 0,05\% FS$ ²⁾ / K
	T_k ⁴⁾ <u>Zero+Span</u> Measuring range 0...4 bar to 0...600 bar $\leq \pm 0,04\% FS$ ²⁾ / K

²⁾ Referring to nominal measuring span resp. full scale (FS)

³⁾ Nonlinearity + Hysteresis + Reproducibility

⁴⁾ T_k = Temperature coefficient

⁵⁾ Limit value adjustment acc. to EN/IEC 60770-1

⁶⁾ Specification for TD ⁷⁾ = 1 (adjusted measuring range = nominal measuring range).

Specification for TD ⁷⁾ ≥ 1 (adjusted measuring range \leq nominal measuring range) = specification at nominal measuring range x TD ⁷⁾

⁷⁾ Turn-Down TD = nominal measuring range (FS ²⁾) / adjusted measuring range)

¹²⁾ Higher values for special measuring range

7.4 Process conditions

Process temperature	-40°C...+100°C
The permitted range results from the narrowest limitation of standard range resp. extended range.	<u>Extension</u>
	Temperature decoupler -40°C...+135°C
	<u>Limitation</u>
	Gasket - FPM -25°C...+200°C
	Gasket - EPDM -40°C...+140°C

Process pressure	Pressure range	Over/Burst pressure	Vacuum
[R] Gauge pressure	-1...0 bar [R]	3 bar / 8 bar	0 bar [A]
[A] Absolute pressure	-1...+1 bar [R]	6 bar / 12 bar	0 bar [A]
	0...250 mbar [R]	750 mbar / 2,5 bar	0 bar [A]
	0...400 mbar [R]	1,2 bar / 4 bar	0 bar [A]
	0...600 mbar [R]	1,8 bar / 6 bar	0 bar [A]
	0...1 bar [R/A]	3 bar / 8 bar	0 bar [A]
	0...1,6 bar [R/A]	6 bar / 12 bar	0 bar [A]
	0...2,5 bar [R/A]	6 bar / 12 bar	0 bar [A]
	0...4 bar [R/A]	15 bar / 20 bar	0 bar [A]
	0...6 bar [R/A]	15 bar / 20 bar	0 bar [A]
	0...10 bar [R/A]	20 bar / 40 bar	0 bar [A]
	0...16 bar [R/A]	40 bar / 80 bar	0 bar [A]
	0...25 bar [R/A]	40 bar / 80 bar	0 bar [A]
	0...40 bar [R/A]	100 bar / 200 bar	0 bar [A]
	0...60 bar [R]	100 bar / 200 bar	0 bar [A]
	0...100 bar [R]	200 bar / 400 bar	0 bar [A]
	0...160 bar [R]	400 bar / 800 bar	0 bar [A]
	0...250 bar [R]	400 bar / 800 bar	0 bar [A]
	0...320 bar [R]	800 bar / 1000 bar	0 bar [A]
	0...400 bar [R]	800 bar / 1000 bar	0 bar [A]
	0...600 bar [R]	900 bar / 1000 bar	0 bar [A]

7.5 Environmental conditions

Environmental temperature	-40°C...+85°C
Protection	IP65/IP67 (EN/IEC 60529)
Climatic classification	4K4H (EN/IEC 60721-3-4)
Shock classification	50g [11ms] (EN/IEC 60068-2-27)
Vibration classification	20g [10...2000 Hz] (EN/IEC 60068-2-6)
EM compatibility	Operation device class B / Industrial range (EN/IEC 61326)
Tightening torque	≤ 50Nm
Weight	0,35kg

7.6 Materials - process wetted

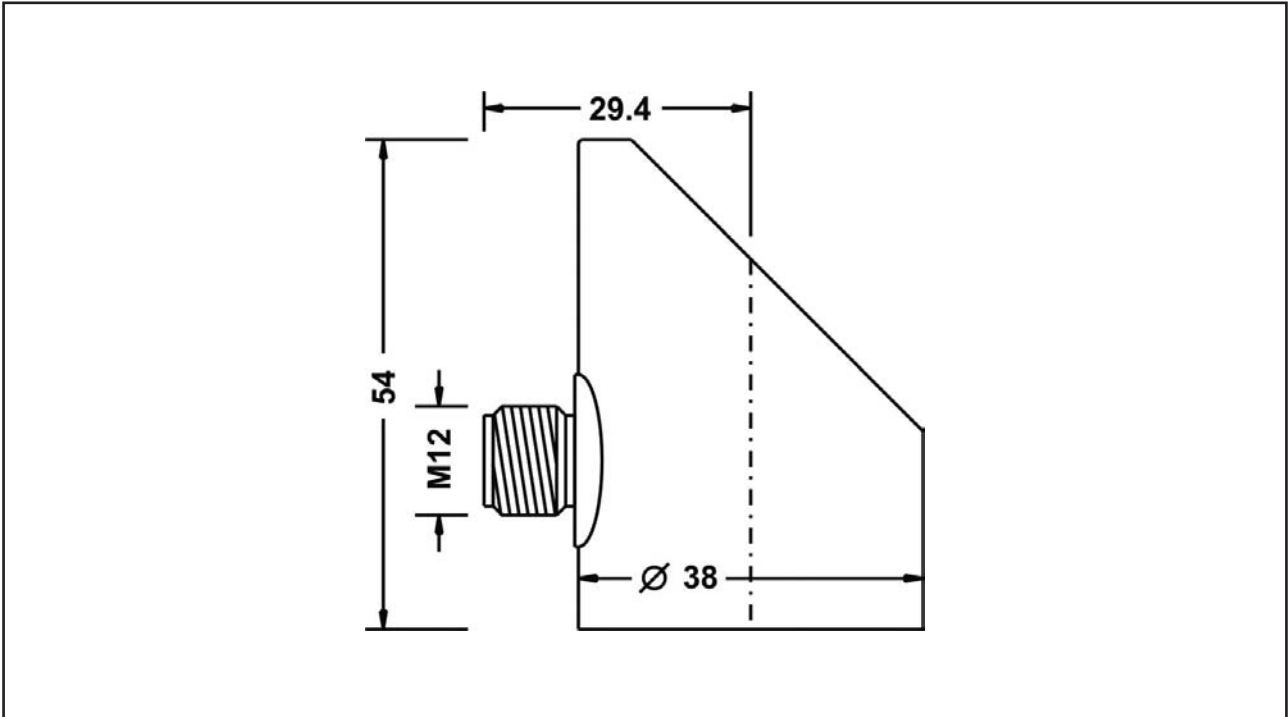
Membrane	Ceramic aluminum oxide Al ₂ O ₃ – 96%
Process connection	Steel 1.4404/316L Steel 1.4571/316Ti
Gaskets	FPM – fluorelastomere (e.g. Viton®) EPDM – ethylene-propylene-dienmonomere, FDA-listed

7.7 Materials - not process wetted

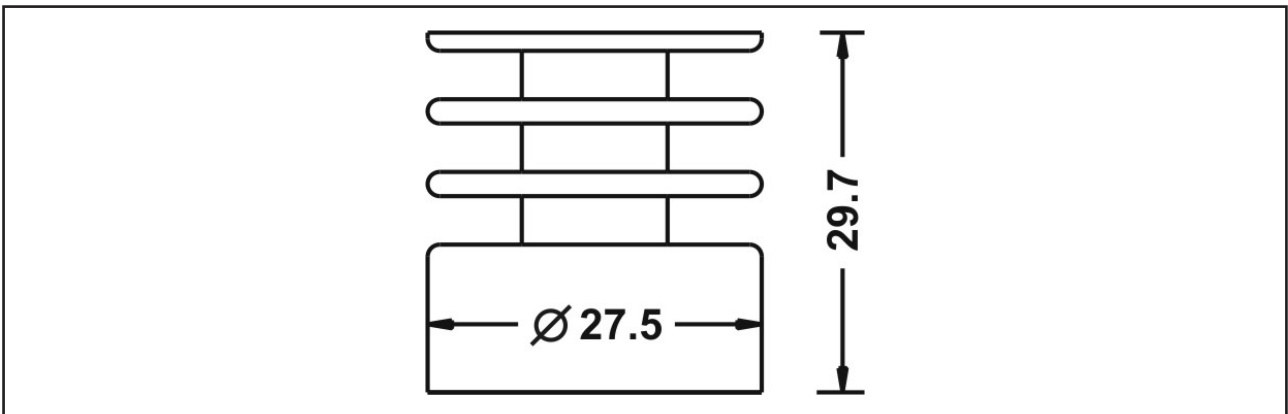
Terminal enclosure	CrNi-steel
Control panel surface	PES
Electrical connection part	Device plug PUR
Pressure compensation element	Acrylic copolymer
Gaskets	FPM – fluorelastomere (e.g. Viton®)

8 Dimension drawings

8.1 Terminal enclosure



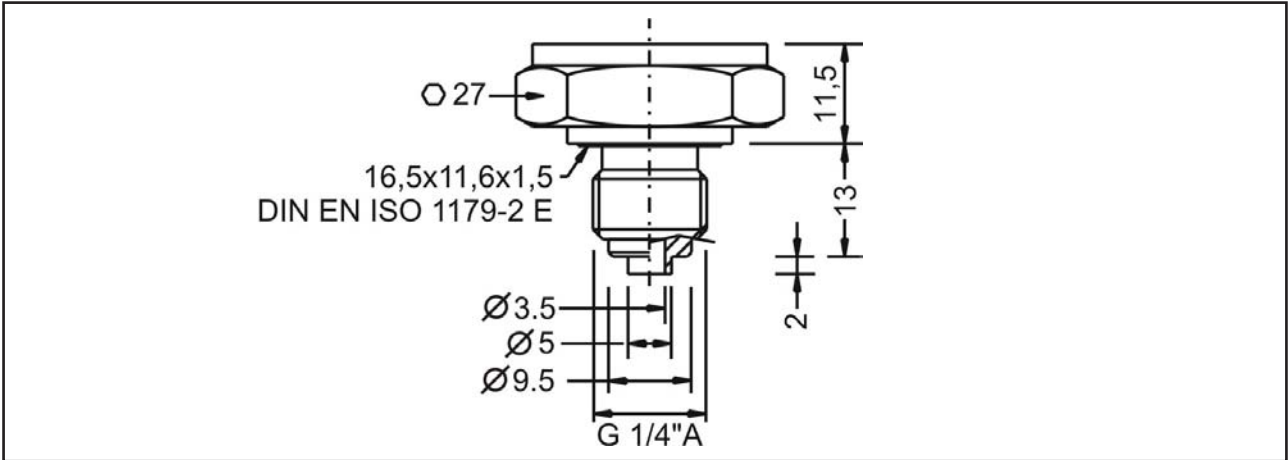
8.2 Temperature decoupler



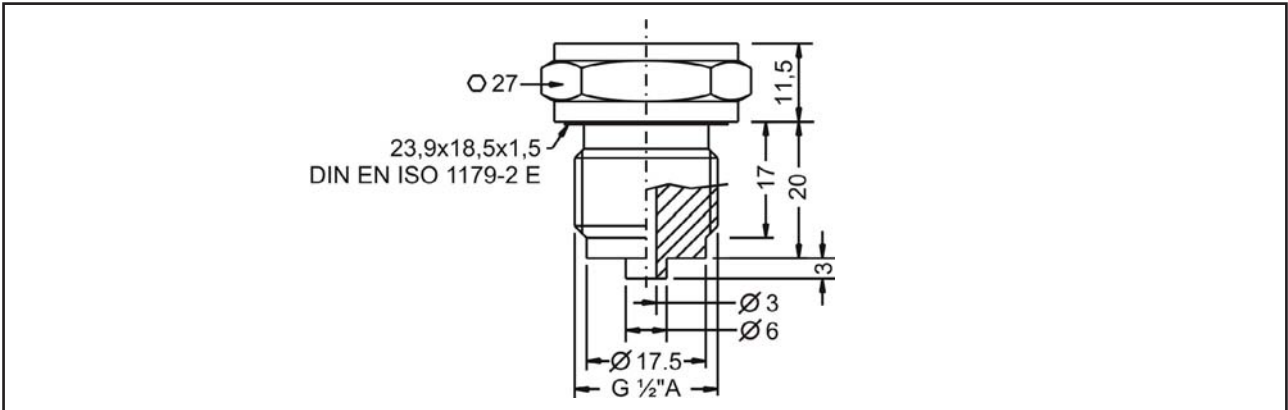
8.3 Process connection

8.3.1 Internal process membrane

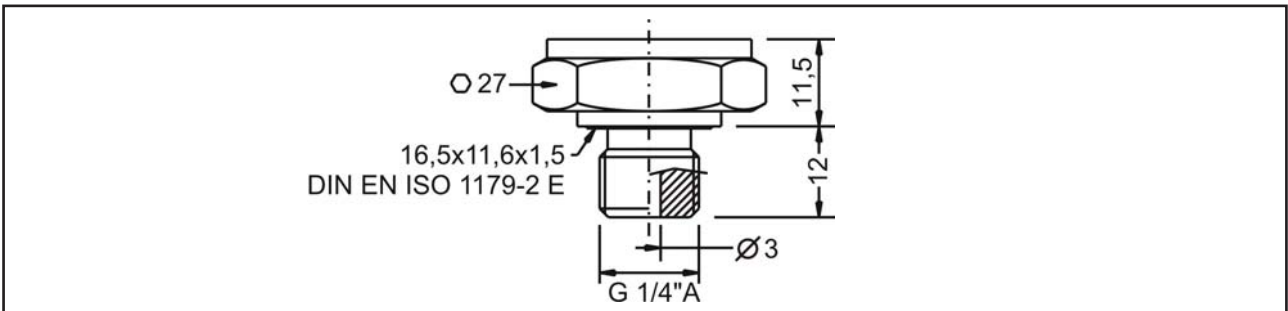
Type 6 – Thread ISO 228-1 – G $\frac{1}{4}$ "A, EN 837



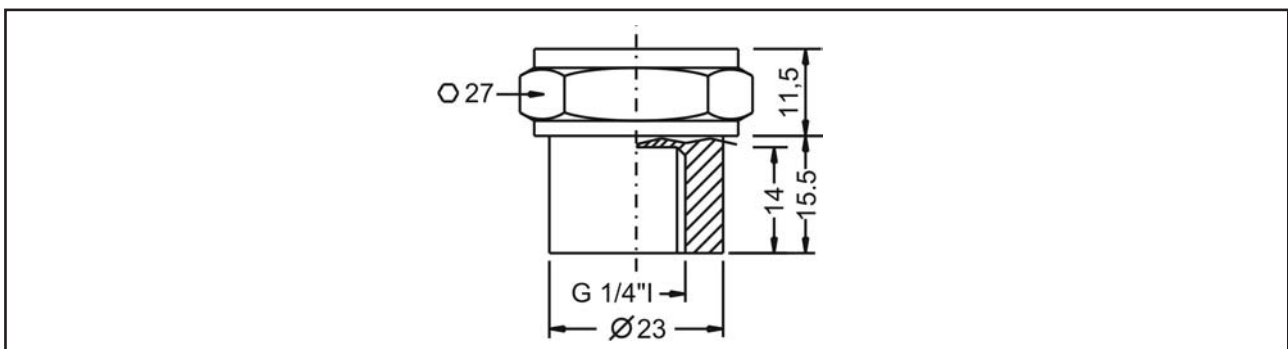
Type 1 – Thread ISO 228-1 – G $\frac{1}{2}$ "A, EN 837



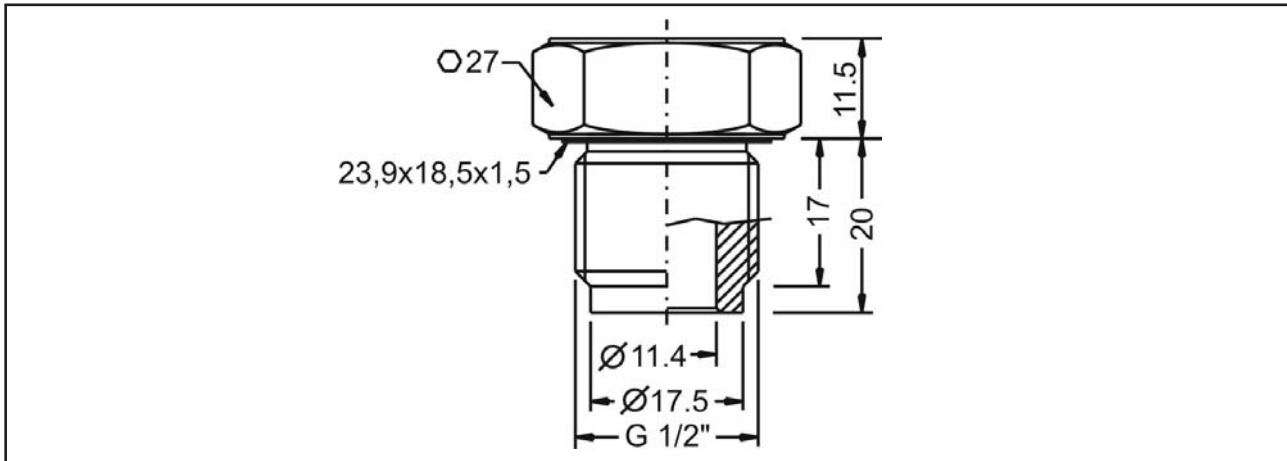
Type 3 – Thread ISO 228-1 – G $\frac{1}{4}$ "A, DIN EN ISO 1179-2 E



Type 4 – Thread ISO 228-1 – G $\frac{1}{4}$ " I, inner thread

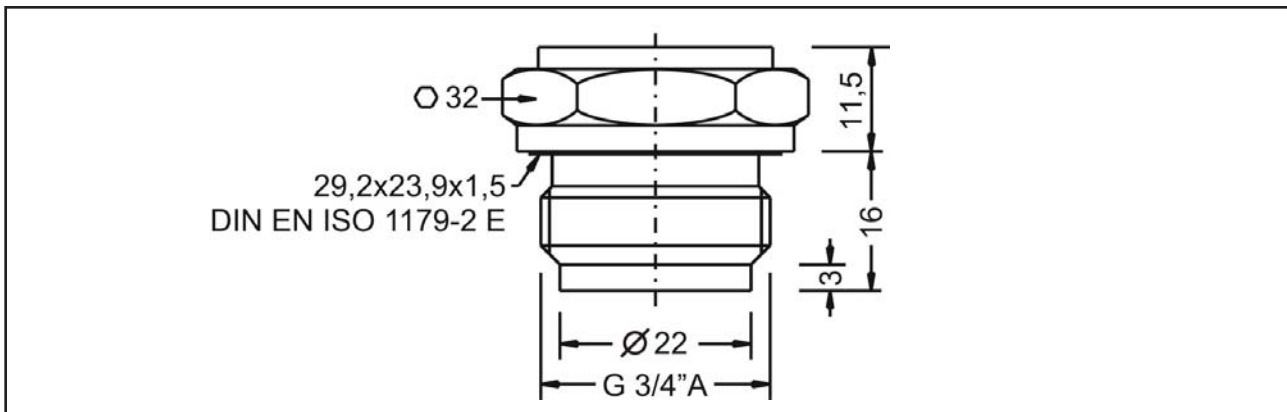


Type 2 – Thread ISO 228-1 – G $\frac{1}{2}$ "B, inner bore

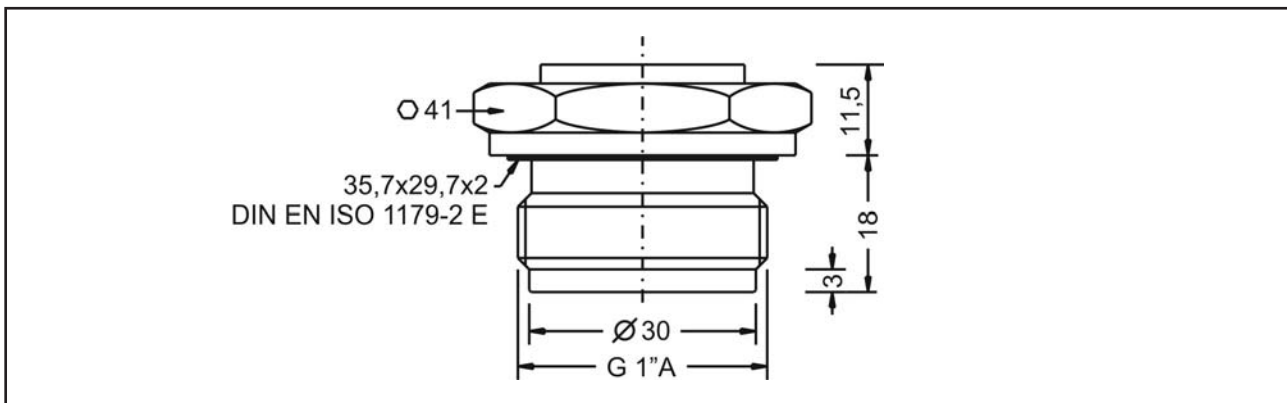


8.3.2 Front-flush process membrane

Type 8 – Thread ISO 228-1 – G $\frac{3}{4}$ "A, front-flush



Type 5 – Thread ISO 228-1 – G1"A, front-flush



9 Ordering information

9.1 Order code

<p>Type PS4S Standard</p> <p>K</p> <p>S</p> <p>V</p> <p>C</p> <p>S</p> <p>4</p> <p>S</p>	<p>Measuring system – material diaphragm (process wetted) / sensor type Ceramic Al₂O₃ 96% / strain gauge</p> <p>Approval Standard</p> <p>Process connection 6 Thread ISO 228-1 – G¼”A, EN 837 manometer 1 Thread ISO 228-1 – G½”A, EN 837 manometer 3 Thread ISO 228-1 – G¼”A, DIN EN ISO 1179-2 E 4 Thread ISO 228-1 – G¼”I, inner thread 2 Thread ISO 228-1 – G½”B, inner bore 8 Thread ISO 228-1 – G¾”A, front-flush, ≤ 10 bar 5 Thread ISO 228-1 – G1”A, front-flush, ≤ 1 bar Y others</p> <p>Material process gaskets (process wetted) 1 FPM – fluorelastomere (e.g. Viton®) 3 EPDM – ethylene-propylene-dienmonomere, FDA-listed Y others</p> <p>Material process connection (process wetted) V CrNi-steel</p> <p>Material terminal enclosure C CrNi-steel</p> <p>Measuring range 02 0...250 mbar 03 0...400 mbar 04 0...600 mbar 05 0...1 bar 06 0...1,6 bar 07 0...2,5 bar 08 0...4 bar 09 0...6 bar 10 0...10 bar 11 0...16 bar 12 0...25 bar 13 0...40 bar 14 0...60 bar 19 0...100 bar 20 0...160 bar 21 0...250 bar 22 0...320 bar 23 0...400 bar 24 0...600 bar 16 -1...0 bar 17 -1...+1 bar YY Special measuring range</p> <p>Electronic – output A 2x switch PNP, supply 24VDC B 1x switch PNP, 1x signal 4...20mA , supply 24VDC C 2x switch PNP, 1x signal 4...20mA, supply 24VDC D 1x switch PNP, 1x signal 4...20mA, supply 24VDC, Desina</p> <p>Electronic – function S Standard</p> <p>Process temperature 0 Standard -40°C...+100°C 1 Extended -40°C...+135°C, temperature decoupler</p> <p>Pressure type R Gauge pressure A Absolute pressure, ≥ 1bar ... ≤ 40bar</p> <p>Measuring system – accuracy 4 0,5%</p> <p>Electrical connection S Plug M12x1</p>
--	---

Precont® PS4S K S V C S 4 S

Installation material and connection cable are not enclosed in contents of delivery.

9.2 Additional options

For the device additional options are available.

The respective abbreviation subsequently follows the order code.

- SF LABS-free, silicone-free / paint compatible version
- ML Measurement point designation / TAG – Laser marking
- KL Customer label on device – Laser marking
- TN Type label neutral
- MZ Material test certificate – EN10204 3.1
- WT Factory certification – drink water suitability
- WL Factory certification – food suitability
- KF Configuration / Preset
- WK Factory calibration – calibration certificate

9.3 Accessories

Accessories are not content of delivery of the device and must be ordered separately.

9.3.1 Installation material

A wide range of accessories for device installation is constantly available, e.g.

- Welding sockets
- Welding flanges
- Blind flanges
- Flanges with thread
- Reductions
- Tube nuts
- Siphons
- Marking plate measuring point, laser marked
- etc.

9.3.2 Connection cable / Cable box

Connection cable M12x1, material PUR, shielded

- LKZ04##PUR-AS 4-pole, straight, ## = length 2...30m
- LKW04##PUR-AS 4-pole, angled, ## = length 2...30m
- LKZ05##PUR-AS 5-pole, straight, ## = length 2...30m
- LKW05##PUR-AS 5-pole, angled, ## = length 2...30m

Other connection cables, e.g. other material, unshielded or integrated LED are available.

Cable box M12x1

- BKZ0412-VA 4-pole
- BKZ0512-VA 5-pole

ACS-CONTROL-SYSTEM
knowledge and systems

Your partner for measuring technology and automation



ACS-CONTROL-SYSTEM GmbH
Lauterbachstr. 57
D- 84307 Eggenfelden

Tel.: +49 (0) 8721/ 9668-0
Fax: +49 (0) 8721/ 9668-30

info@acs-controlsystem.de
www.acs-controlsystem.de